



Since 1994, DIGITAL LEADER Axis Sensitive Co. Ltd  
**Industrial Explosion Proof Load Cell**



**MODEL : ALS-EXP**

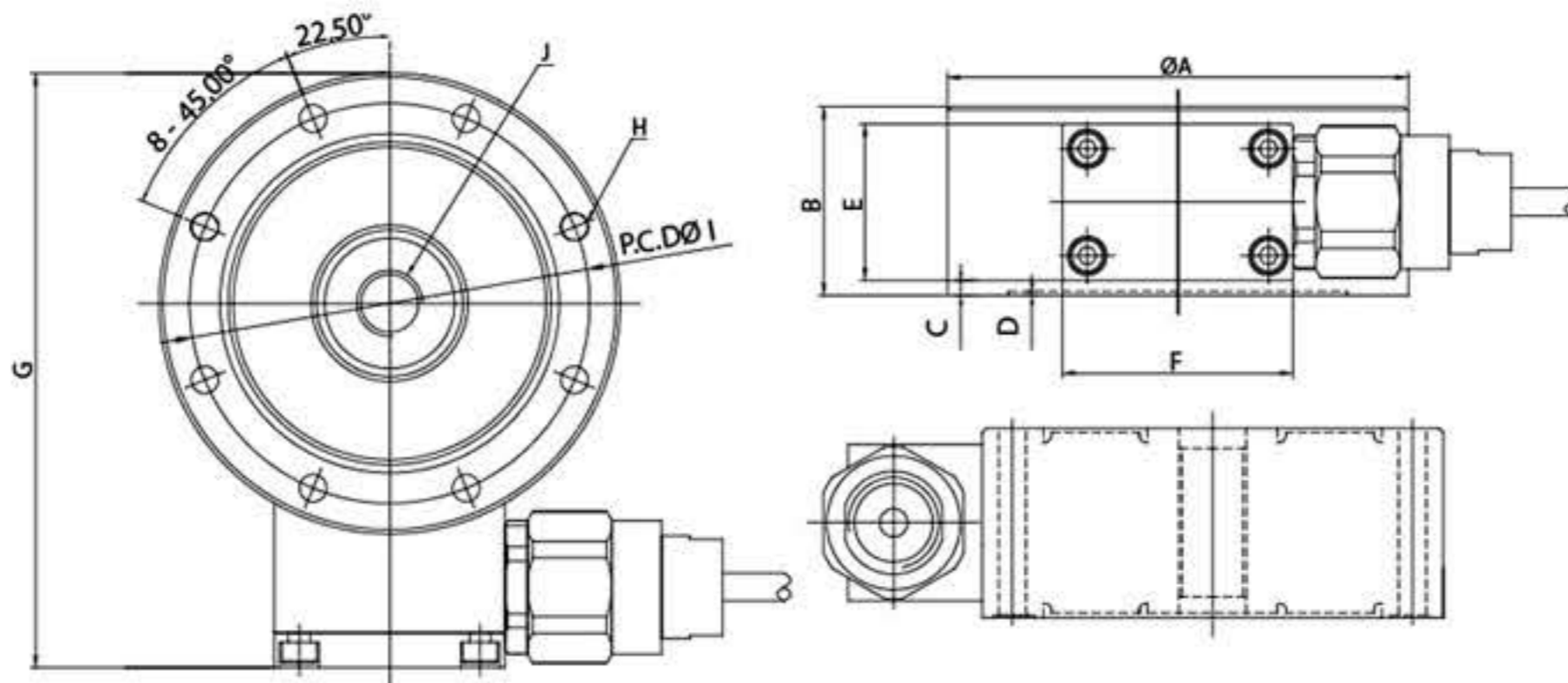


[www.axis123.com](http://www.axis123.com)

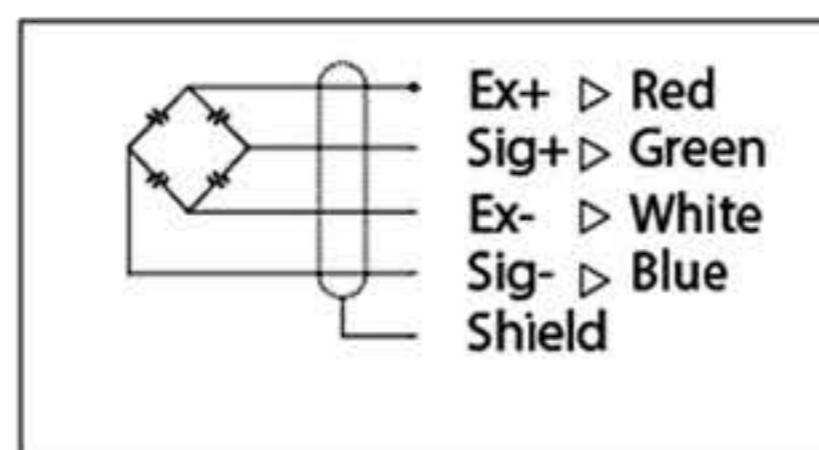


**제품 규격 [UNIT : mm]**

**Product Specification**



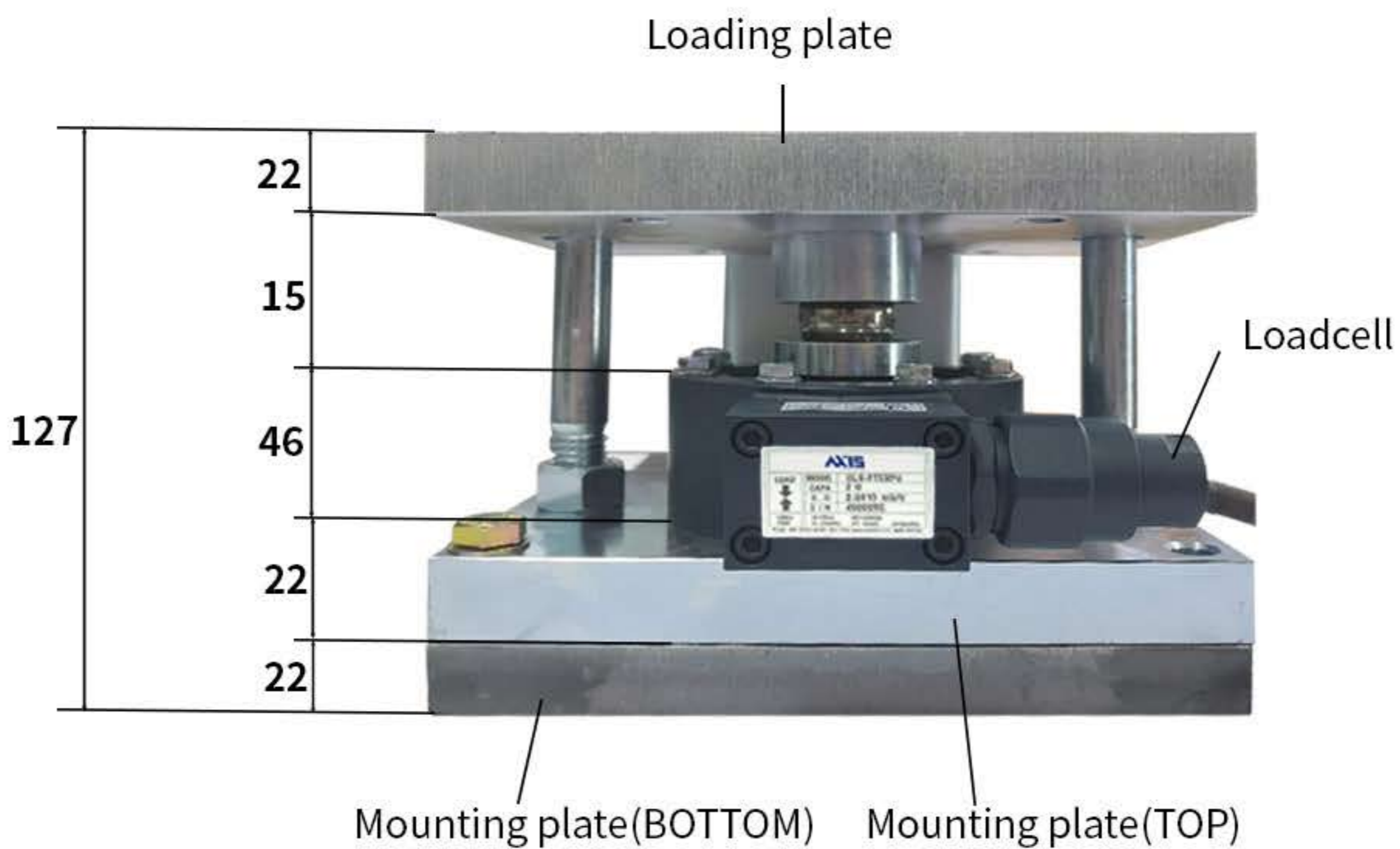
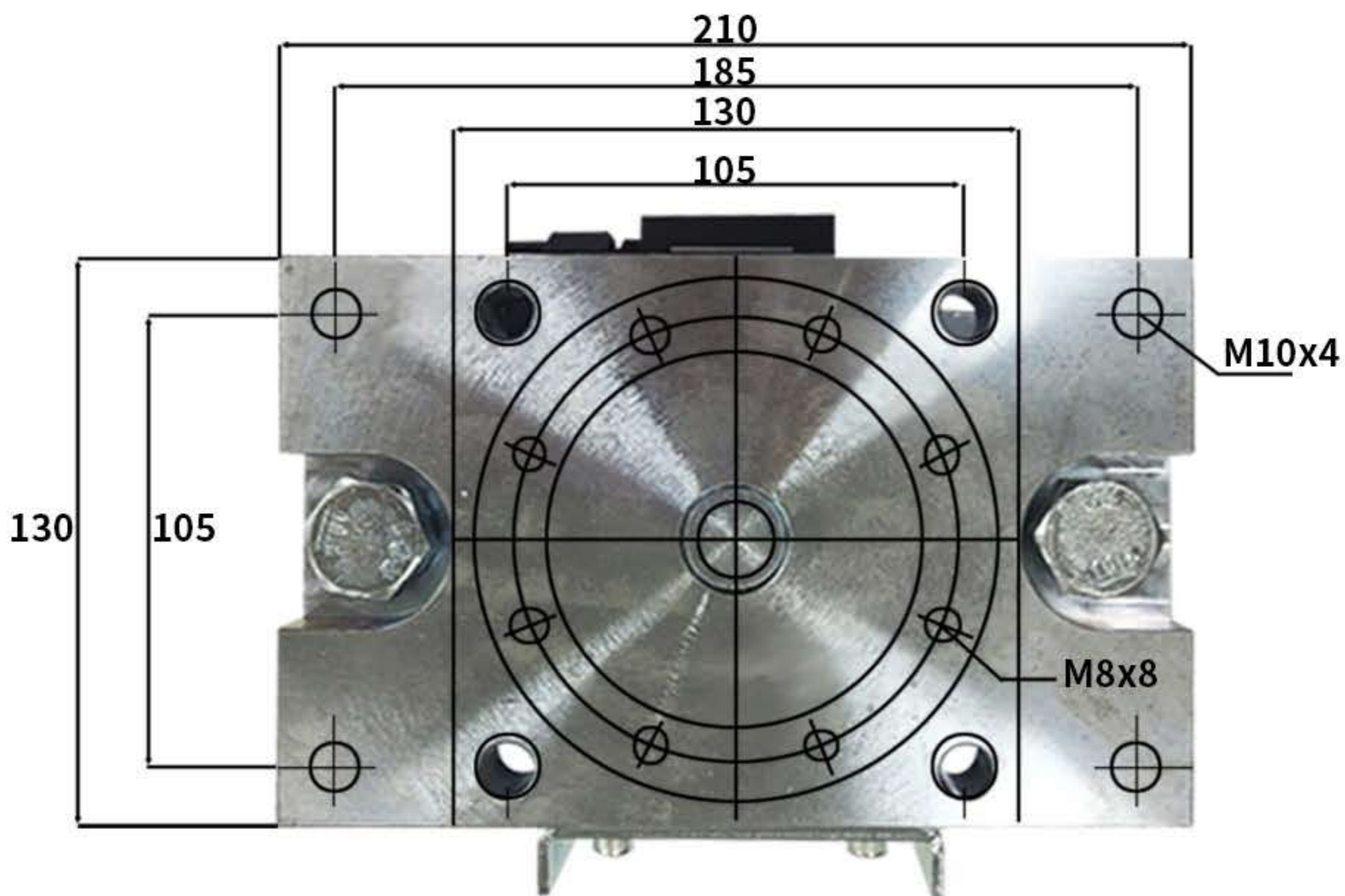
Model	A	B	C	D	E	F	G	H	I	J
ALS-EXP-1tf	112	46	4	1	38	56	144.5	8-Ø6.6	97.2	M16x2.0
ALS-EXP-2tf										
ALS-EXP-3tf										
ALS-EXP-5tf	120	46	4	1	38	56	153	8-Ø9	103.2	
ALS-EXP-10tf										
ALS-EXP-15tf	138	60	11	1	38	56	172	8-Ø11	117.6	M24x2.0
ALS-EXP-20tf										
ALS-EXP-30tf										

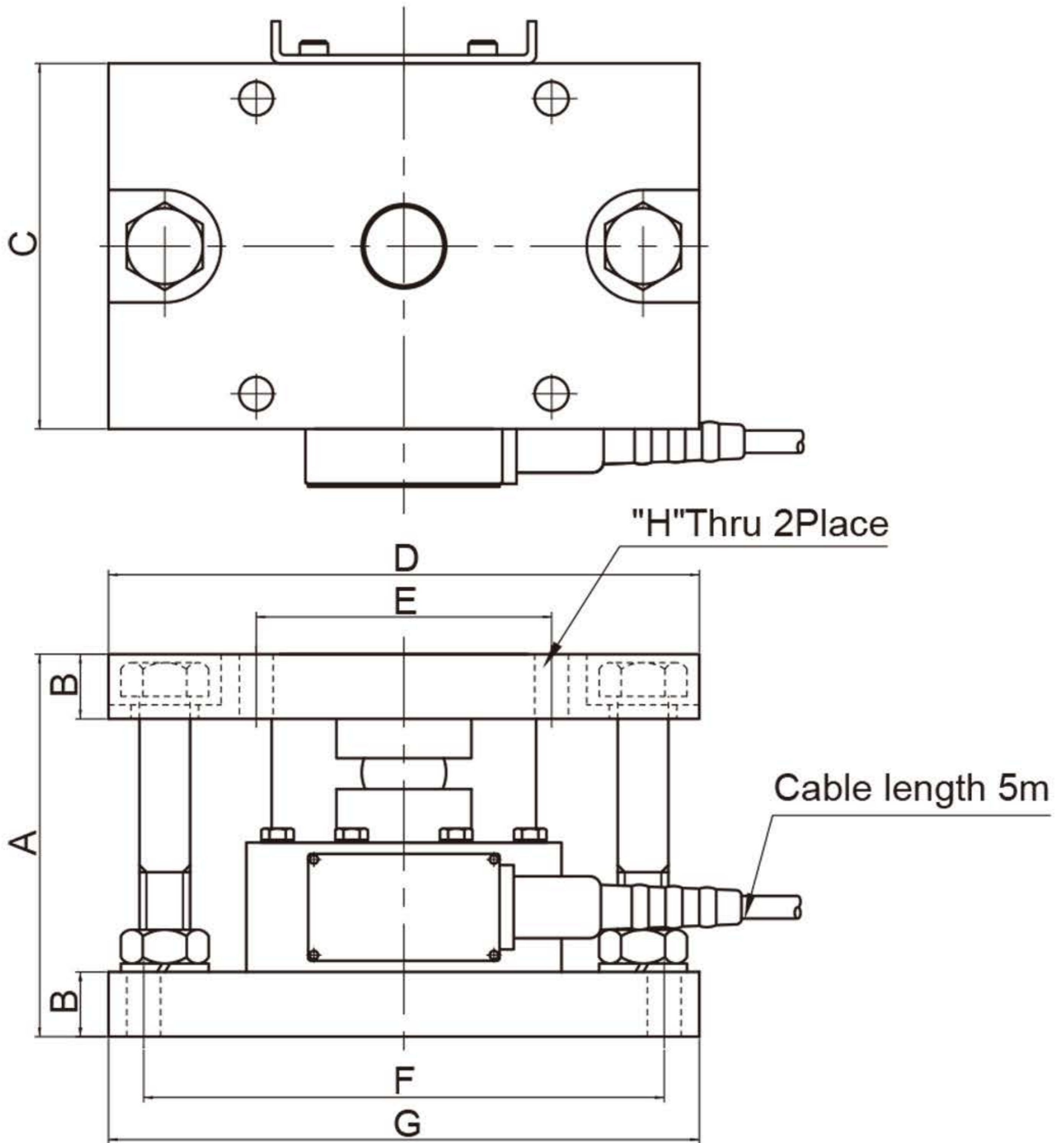


- ▶ ALS-EXP 타입은 완전 용접 구조의 Pancake 타입 방폭 로드셀
- ▶ 압축형 / 인장형 적용 가능
- ▶ 폭발 위험 지역 내 호퍼 및 탱크 스케일
- ▶ 방폭 계량 시스템에 적합

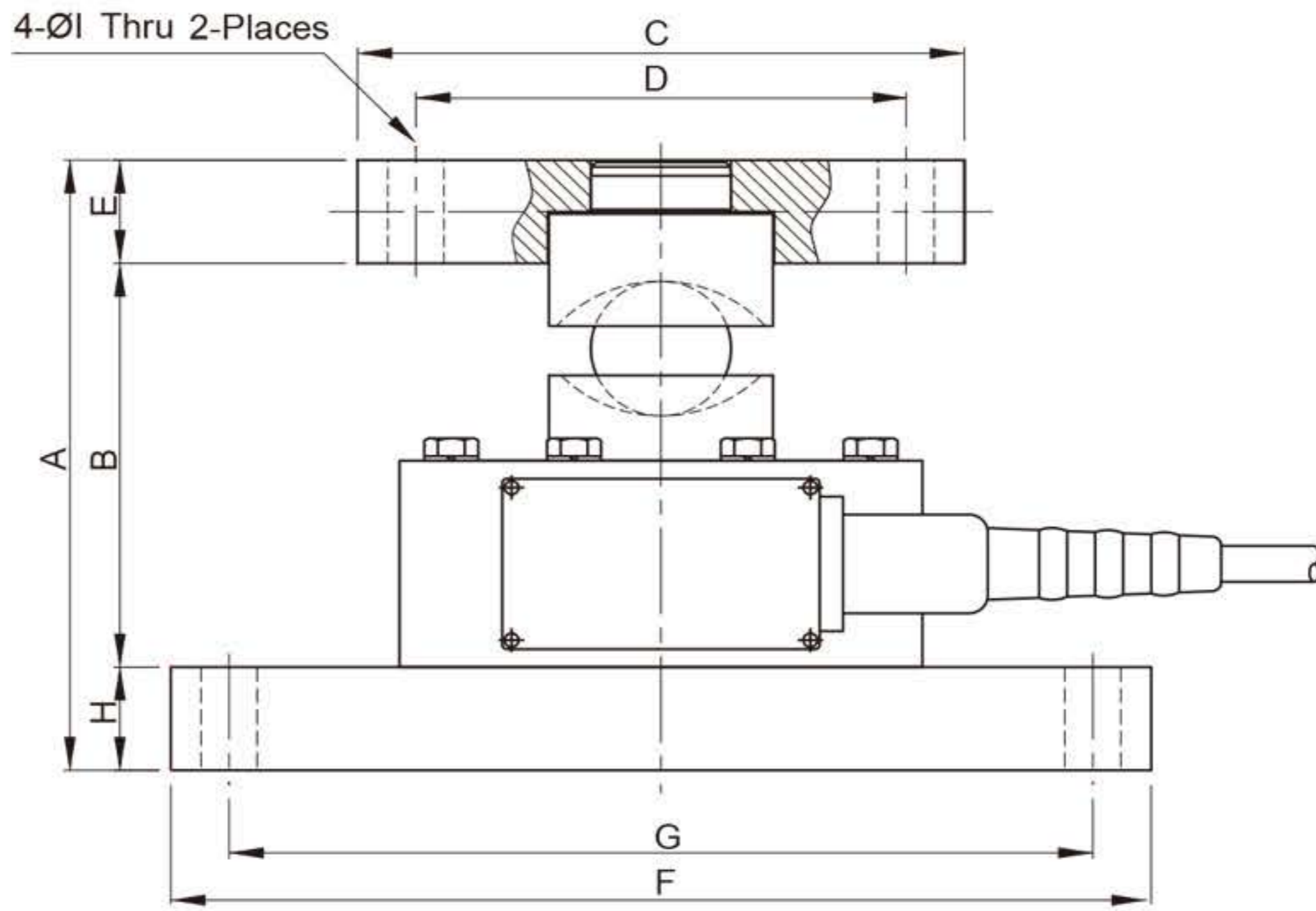
Capacity(용량)	tf	1,2,3,5,10,15,20,30,
Rated Output(정격 출력)	mV/V	2.0±0.005
Zero Balance(무부하 범위)	mV/V	0.0±0.03
Combined Error(종합 오차)	%RO	0.02
Repeatability(반복 출력 허용)	%RO	0.03
Creep for (30min)N분출력편차	%RO	
Temperature effect on(온도변화에 따른 변위)		
Zero Value(영점값)	%RO/10°C	0.03
Output Value(출력값)	%RO/10° c	0.03
Excitation(인가전압)		
Recommended(권고 전압)	V	10
Maximum(최대 전압)	V	15
Resistance(저항)		
Input(입력저항)	Ω	350±3.5
Output(출력저항)	Ω	350±3.5
Insulation(절연저항)	MΩ	>2000@50V DC
Compensated Temp.Range	°C	-10 ~ +80
Operating Temp.Range(작동범위)	°C	-20 ~ +80

- › Paint Finished Steel
- › 방진 및 방수 등급 : IP67 보호 등급에 준한 설계
- › 인장 / 압축 타입 / 완전 용접 구조
- › 피로 하중과 횡력에 강한 구조
- › Ex d llB T6

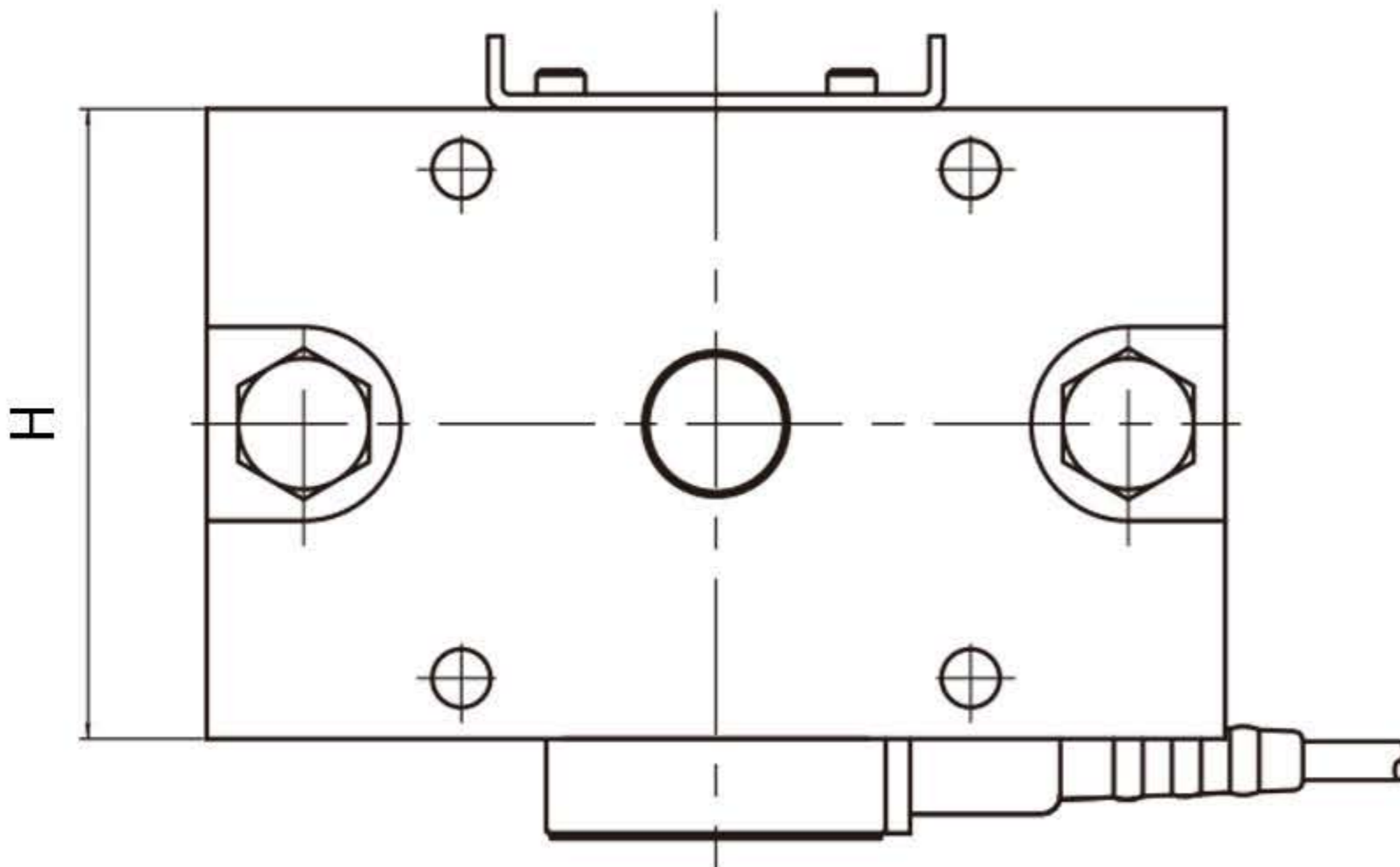


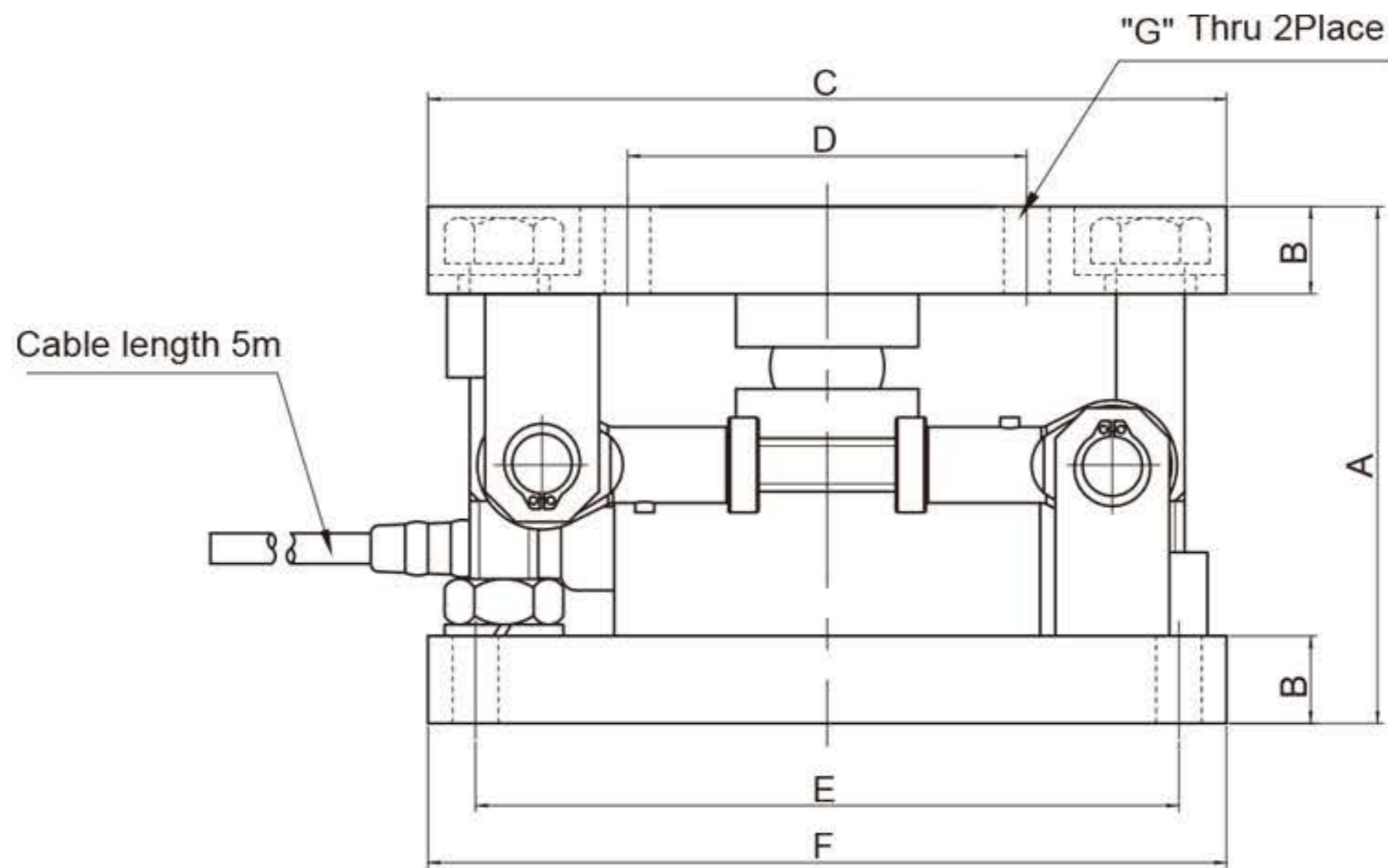


Model	A	B	C	D	E	F	G	H
ALS-0.5,1,2,3tf	136	23	130	210	105 X 105	185 X 105	210	4- $\phi$ 12
ALS-5tf	145	23	130	210	105 X 105	185 X 105	210	4- $\phi$ 12
ALS-10,15tf	166	30	160	220	105 X 105	185 X 105	220	4- $\phi$ 14
ALS-20,30tf	196	30	200	270	105 X 105	185 X 105	270	4- $\phi$ 14



Model	A	B	C	D	E	F	G	H	I
ALS-0.5,1,2,3tf	136	90	210 X 180	105 X 105	23	210 X 130	185 X 105	23	12
ALS-5tf	145	99			23	210 X 130	185 X 105	23	12
ALS-10,15tf	166	106			30	160 X 160	125 X 125	23	14
ALS-20,30tf	196	136			30	200 X 200	160 X 160	23	14



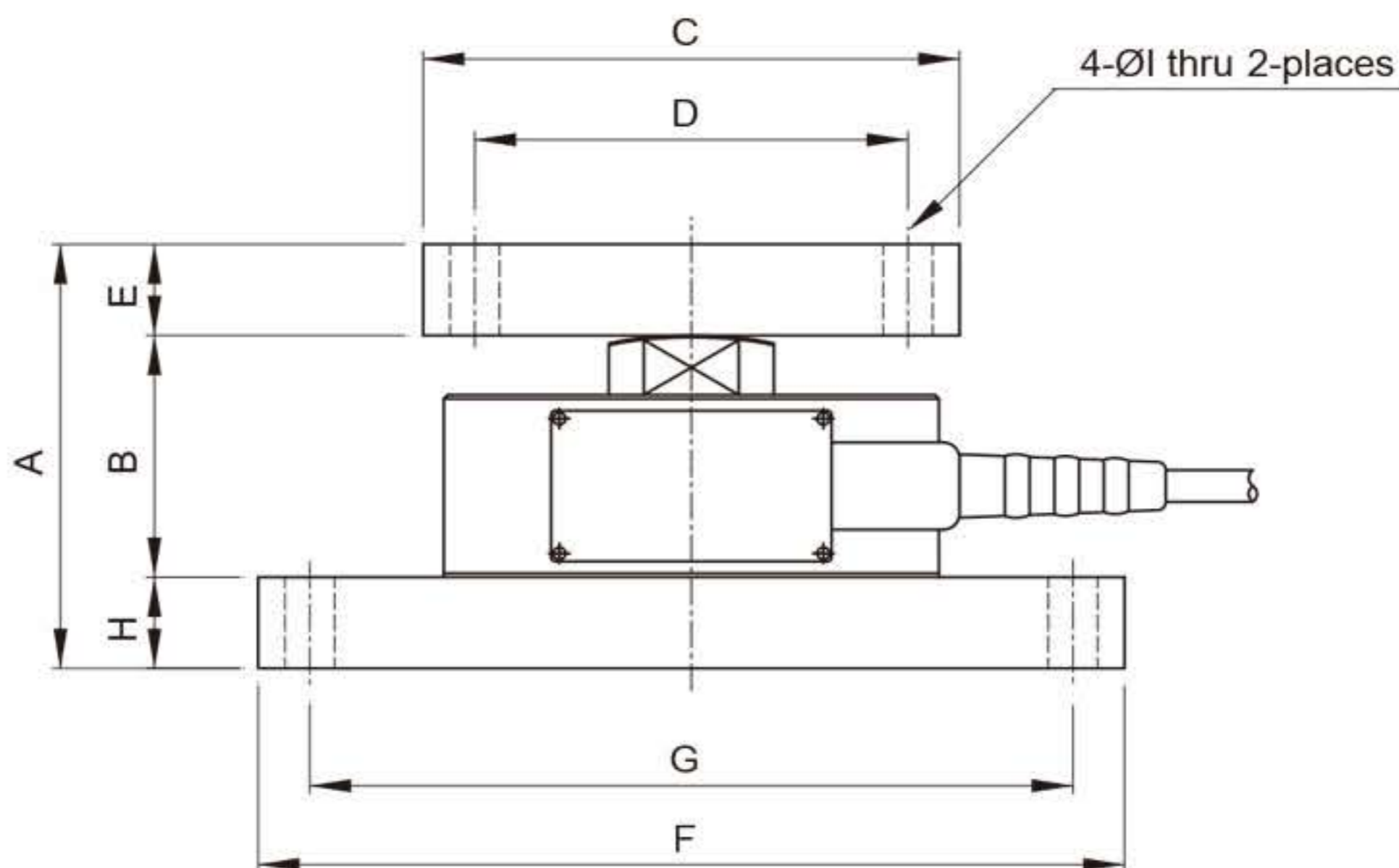


Model	A	B	C	D	E	F	G	H
ALS-0.5,1,2,3tf	136	23	210 X 180	105 X 105	185 X 105	210 X 180	4- $\phi$ 12	210
ALS-5tf	145	23	210 X 180	105 X 105	185 X 105	210 X 180	4- $\phi$ 12	210
ALS-10,15tf	166	23	220 X 207	105 X 105	125 X 125	220 X 207	4- $\phi$ 14	220
ALS-20,30tf	196	23	270 X 280	105 X 105	160 X 160	270 X 280	4- $\phi$ 14	270



## 로드셀 액세서리 Model : ALS-TWL

## Accessory



Model	A	B	C	D	E	F	G	H	I
ALS-0.5,1,2,3tf	105	59	130 X 130	105 X 105	23	210 X 180	4- $\phi$ 12	23	12
ALS-5tf	107	61	130 X 130	105 X 105	23	210 X 180	4- $\phi$ 12	23	12
ALS-10,15tf	140	80	160 X 160	125 X 125	30	220 X 207	4- $\phi$ 14	30	14
ALS-20,30tf	175	115	200 X 200	150 X 150	30	270 X 280	4- $\phi$ 14	30	14
ALS-50tf	225	105	260 X 260	200 X 200	60	220 X 207	4- $\phi$ 14	30	23
ALS-100tf	275	155	360 X 360	280 X 280	60	270 X 280	4- $\phi$ 14	30	27