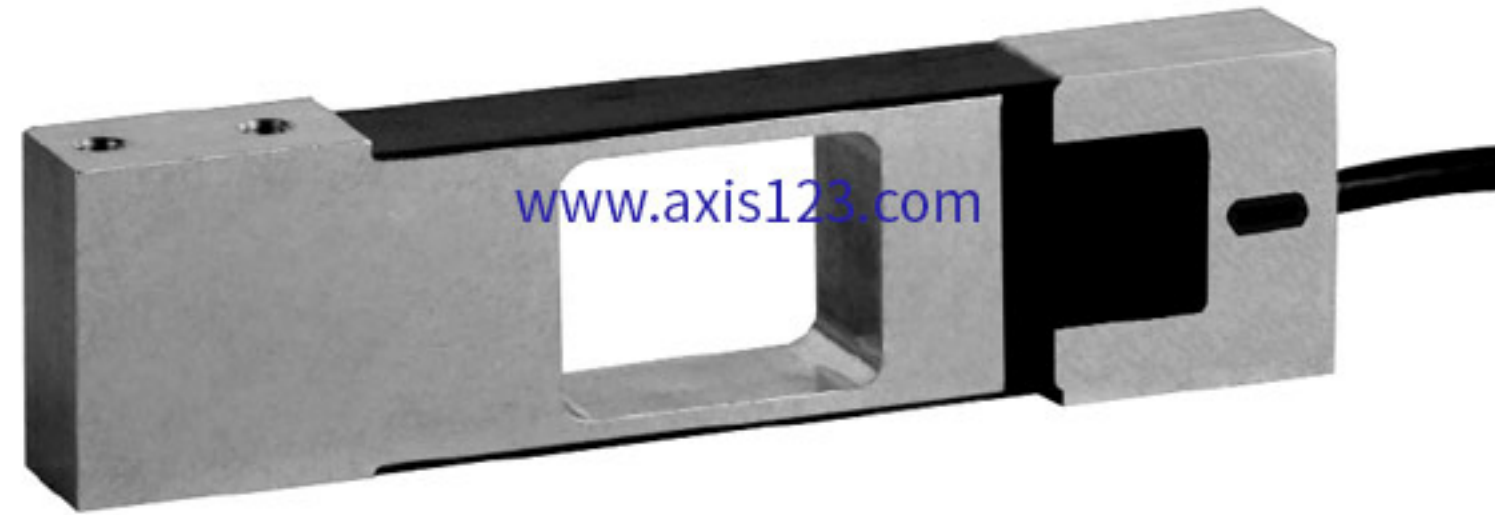




Since 1994, DIGITAL LEADER Axis Sensitive Co. Ltd
Industrial Explosion Proof Load Cell



MODEL : PC42-EXP

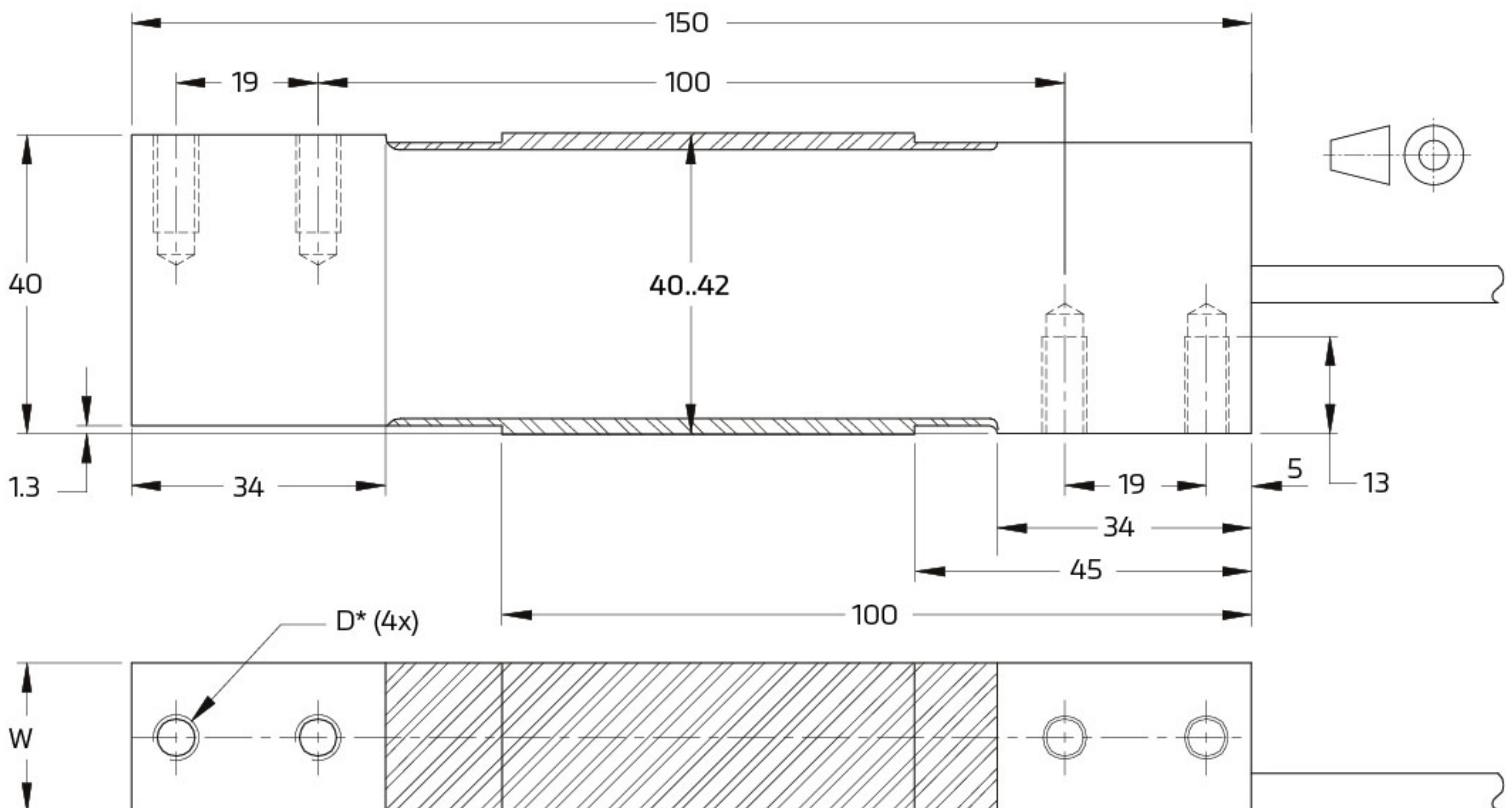


RoHS
compliant



제품 규격 [UNIT : mm]

Product Specification



Capacity (kg)	W		D
5, 10, 20, 30	20	+0.2	M6
		-1.0	
50, 100	25.4	+0.2	M6
		-1.0	
200	25.4	+0.2	M8
		-1.0	

Mounting bolts up to 100 kg: M6 8.8 / torque 10 Nm; for 200 kg: M8 8.8 / torque 25 Nm.

Torque values assume oiled threads.
* Unified thread 1/4-20 UNC is available.

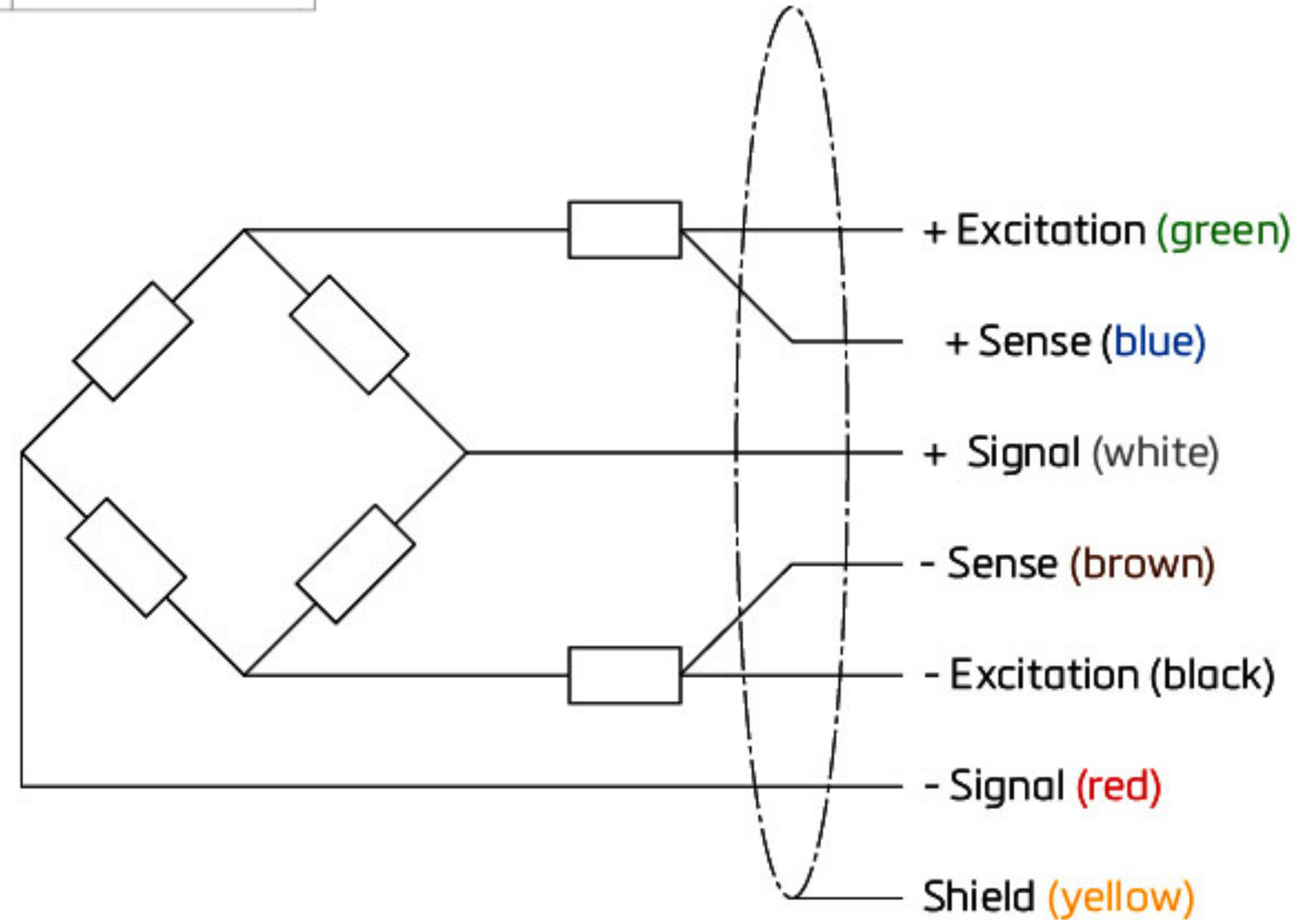
The load cell is provided with a shielded, 6 conductor cable (AWG 26).

Cable jacket: polyurethane

Cable length: 2 m

Cable diameter: 5.8 mm

The shield is connected to the load cell body



- ▶ 다양한 계량 어플리케이션에 이상적인 소형, 중형 저용량 알루미늄 싱글 포인트 로드셀
- ▶ 외부환경에 대한 내구성을 보장하기 위해 컴파운드 포팅방식으로 완전밀봉처리
- ▶ 업계 표준 규격 구성으로 새로운 장비 제조업체 또는 교체용으로 이상적

Maximum capacity (E_{max})	kg	5 / 10 / 20 / 30 / 50 / 100 / 200	
Accuracy class according to OIML R60		(GP)	C3
Maximum number of verification intervals (n_{LC})		n.a.	3,000
Minimum load cell verification interval (v_{min})		n.a.	$E_{max} / 10,000$
Temperature effect on minimum dead load output (TC_0)	%*RO/10°C	± 0.0400	± 0.0140
Temperature effect on sensitivity (TC_{RO})	%*RO/10°C	± 0.0200	± 0.0100
Combined error	%*RO	± 0.0500	± 0.0200
Non-linearity	%*RO	± 0.0400	± 0.0166
Hysteresis	%*RO	± 0.0400	± 0.0166
Creep error (30 minutes) / DR	%*RO	± 0.0600	± 0.0166
Optional: Min. load cell verification interval ($v_{min opt}$)		n.a.	$E_{max} / 15,000$
Optional: Temp. effect on min. dead load output ($TC_0 opt$)	%*RO/10°C	n.a.	± 0.0093
Rated Output (RO)	mV/V	2 ± 10%	
Zero balance	%*RO	± 5	
Excitation voltage	V	5..15	
Input resistance (R_{LC})	Ω	413 ± 20	
Output resistance (R_{out})	Ω	350 ± 25	
Insulation resistance (100 V DC)	MΩ	≥ 5,000	
Safe load limit (E_{lim})	%* E_{max}	150	
Ultimate load	%* E_{max}	300	
Safe side load	%* E_{max}	100	
Maximum platform size; loading acc. to OIML R76	mm	400 x 400	
Maximum off centre distance at maximum capacity	mm	135	
Compensated temperature range	°C	-10...+40	
Operating temperature range	°C	-20...+65 (ATEX -20...+60)	
Load cell material		aluminium	
Sealing		potted	
Protection according EN 60 529		IP67	
Packet weight	kg	0.5	

- › 알루미늄 구조 / 포팅으로 환경 친화적인 밀봉
- › 로우 프로파일 디자인
- › 플랫폼 규격 400 X 400mm
- › 로드셀 케이블 : 폴리 우레탄 2m x 5.8mm
- › EN 60 529에 따른 보호 : IP67