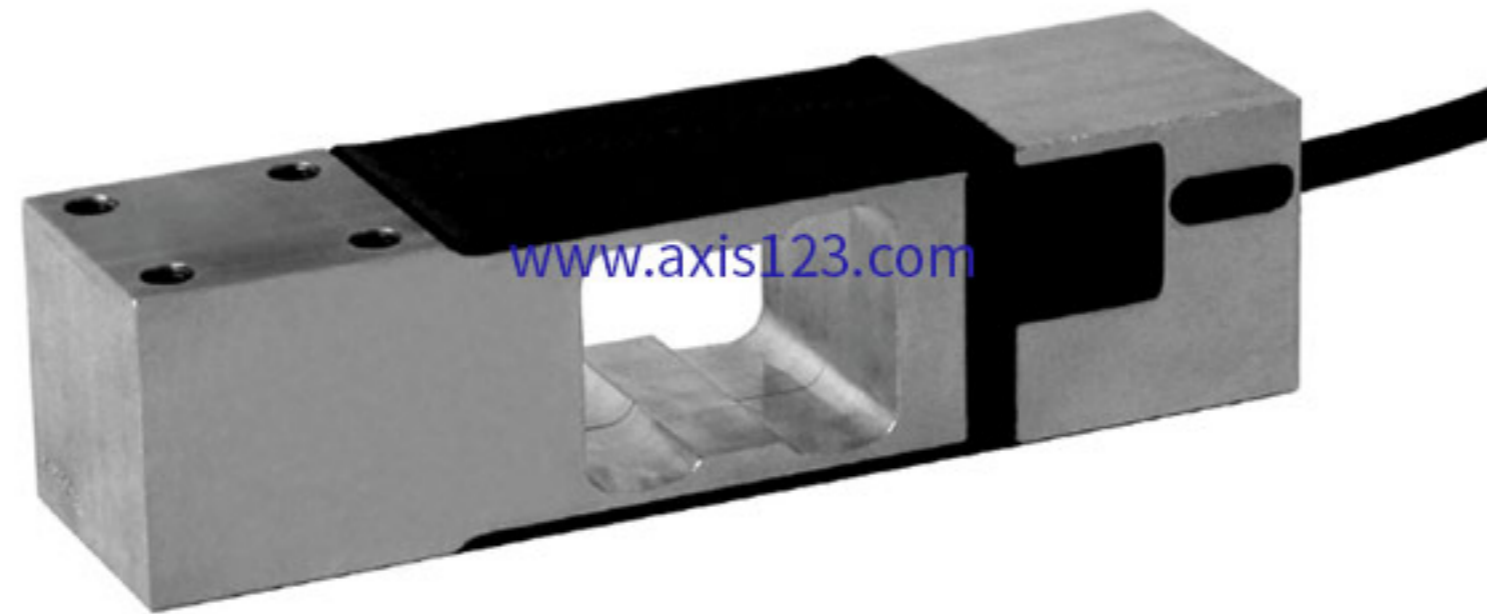
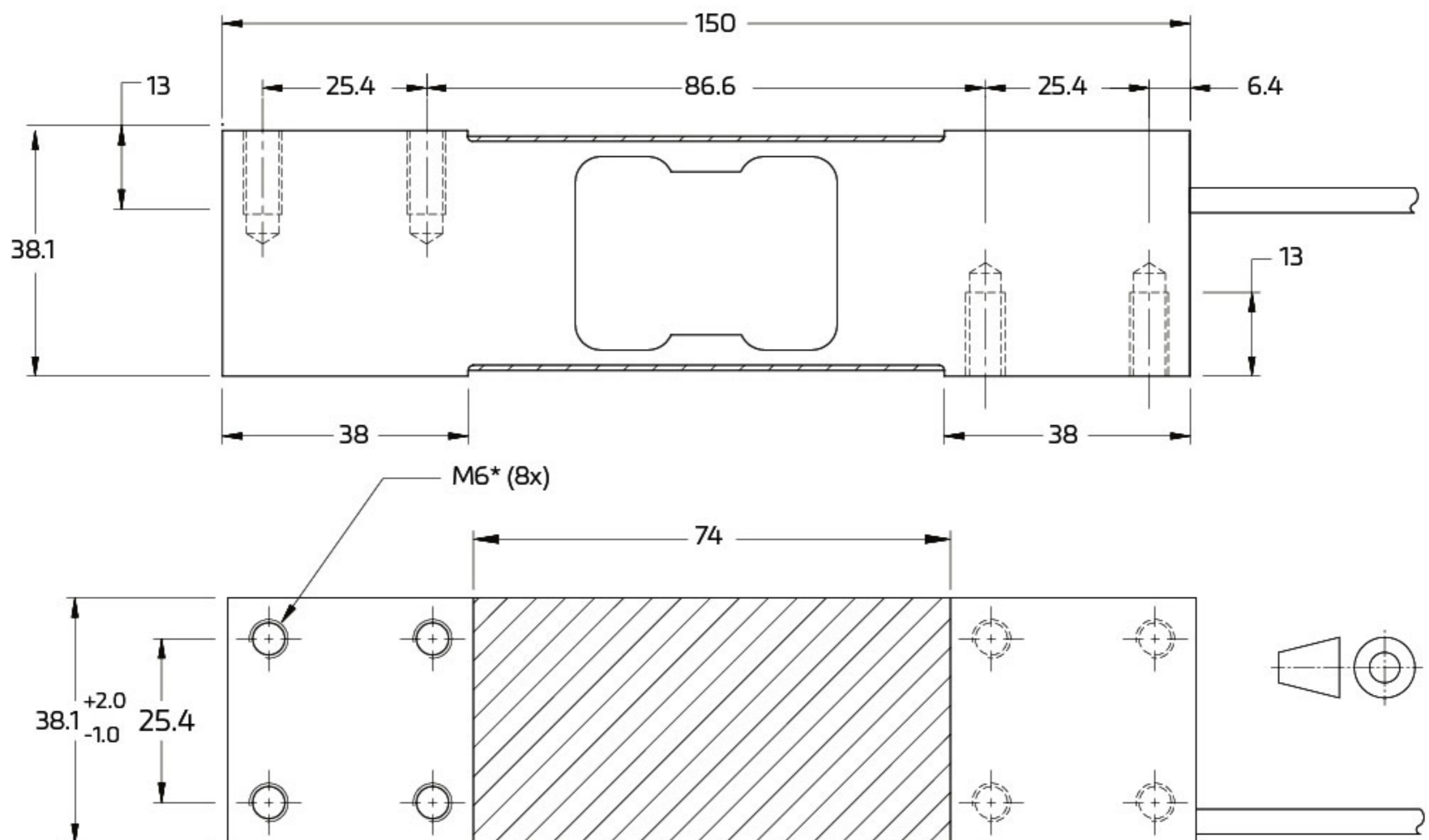


**MODEL : PC46-EXP**



**제품 규격 [UNIT : mm]**

**Product Specification**



Mounting bolts M6 8.8; torque 10 Nm. Torque value assumes oiled threads.

\* Unified thread 1/4-20 UNC is available.

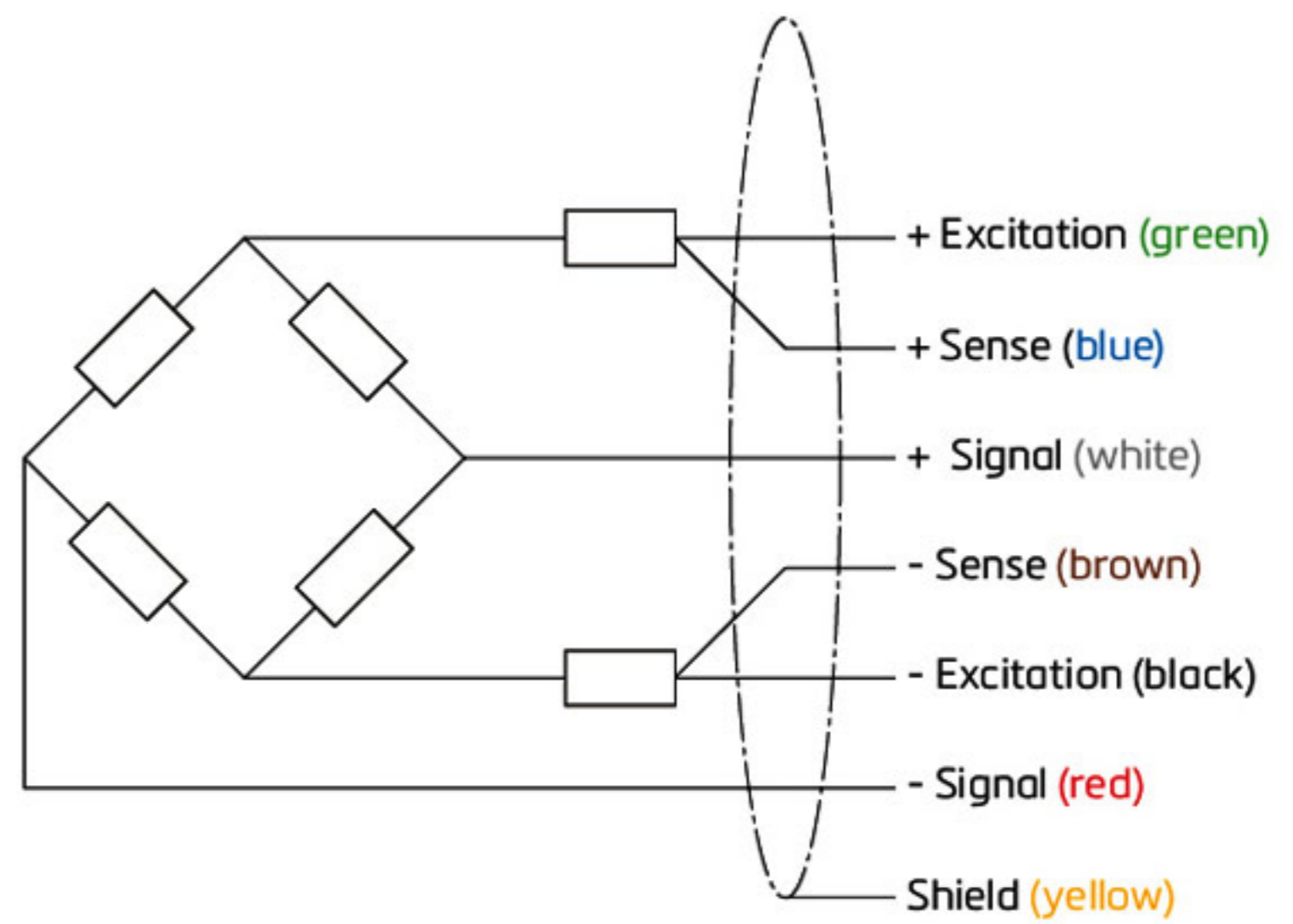
The load cell is provided with a shielded, 6 conductor cable (AWG 26).

Cable jacket: polyurethane

Cable length: 3 m

Cable diameter: 5.8 mm

The shield is connected to the load cell body



- ▶ 벤치 스케일 및 의료 저울에 적합한 중형 로드셀
- ▶ 외부환경에 대한 내구성을 보장하기 위해 컴파운드 포팅방식으로 완전밀봉처리

Maximum capacity ( $E_{max}$ )	kg	50 / 100 / 150 / 200 / 250		250
Accuracy class according to OIML R60		(GP)	C3	C4
Maximum number of verification intervals ( $n_{LC}$ )		n.a.	3,000	4,000
Minimum load cell verification interval ( $v_{min}$ )		n.a.	$E_{max} / 7,500$	$E_{max} / 12,500$
Temperature effect on minimum dead load output ( $TC_0$ )	%*RO/10°C	± 0.0400	± 0.0187	± 0.0112
Temperature effect on sensitivity ( $TC_{RO}$ )	%*RO/10°C	± 0.0200	± 0.0100	± 0.0080
Combined error	%*RO	± 0.0500	± 0.0200	± 0.0180
Non-linearity	%*RO	± 0.0400	± 0.0166	± 0.0125
Hysteresis	%*RO	± 0.0400	± 0.0166	± 0.0125
Creep error (30 minutes) / DR	%*RO	± 0.0600	± 0.0166	± 0.0125
Optional: Min. load cell verification interval ( $v_{min opt}$ )		n.a.	$E_{max} / 15,000$	$E_{max} / 25,000$
Optional: Temp. effect on min. dead load output ( $TC_0 opt$ )	%*RO/10°C	n.a.	± 0.0093	± 0.0056
Rated Output (RO)	mV/V	2 ± 10%		

Rated Output (RO)	mV/V	2 ± 10%
Zero balance	%*RO	± 5
Excitation voltage	V	5...15
Input resistance (R <sub>ic</sub> )	Ω	413 ± 20
Output resistance (R <sub>out</sub> )	Ω	350 ± 25
Insulation resistance (100 V DC)	MΩ	≥ 5000
Safe load limit (E <sub>lim</sub> )	%*E <sub>max</sub>	150
Ultimate load	%*E <sub>max</sub>	300
Safe side load	%*E <sub>max</sub>	100
Maximum platform size; loading acc. to OIML R76	mm	400 x400
Maximum off centre distance at maximum capacity	mm	150
Compensated temperature range	°C	-10...+40
Operating temperature range	°C	-20...+65 (ATEX -20...+60)
Load cell material		aluminium
Sealing		potted
Protection according EN 60 529		IP67
Packet weight	kg	0.8

- ▶ 알루미늄 구조 / 포팅으로 환경 친화적인 밀봉
- ▶ 로우 프로파일 디자인
- ▶ 플랫폼 규격 400 X 400mm
- ▶ 로드셀 케이블 : 폴리 우레탄 3m x 5.8mm
- ▶ EN 60 529에 따른 보호 : IP67