



Since 1994, DIGITAL LEADER Axis Sensitive Co. Ltd
Industrial Explosion Proof Load Cell



MODEL : PCB-EXP

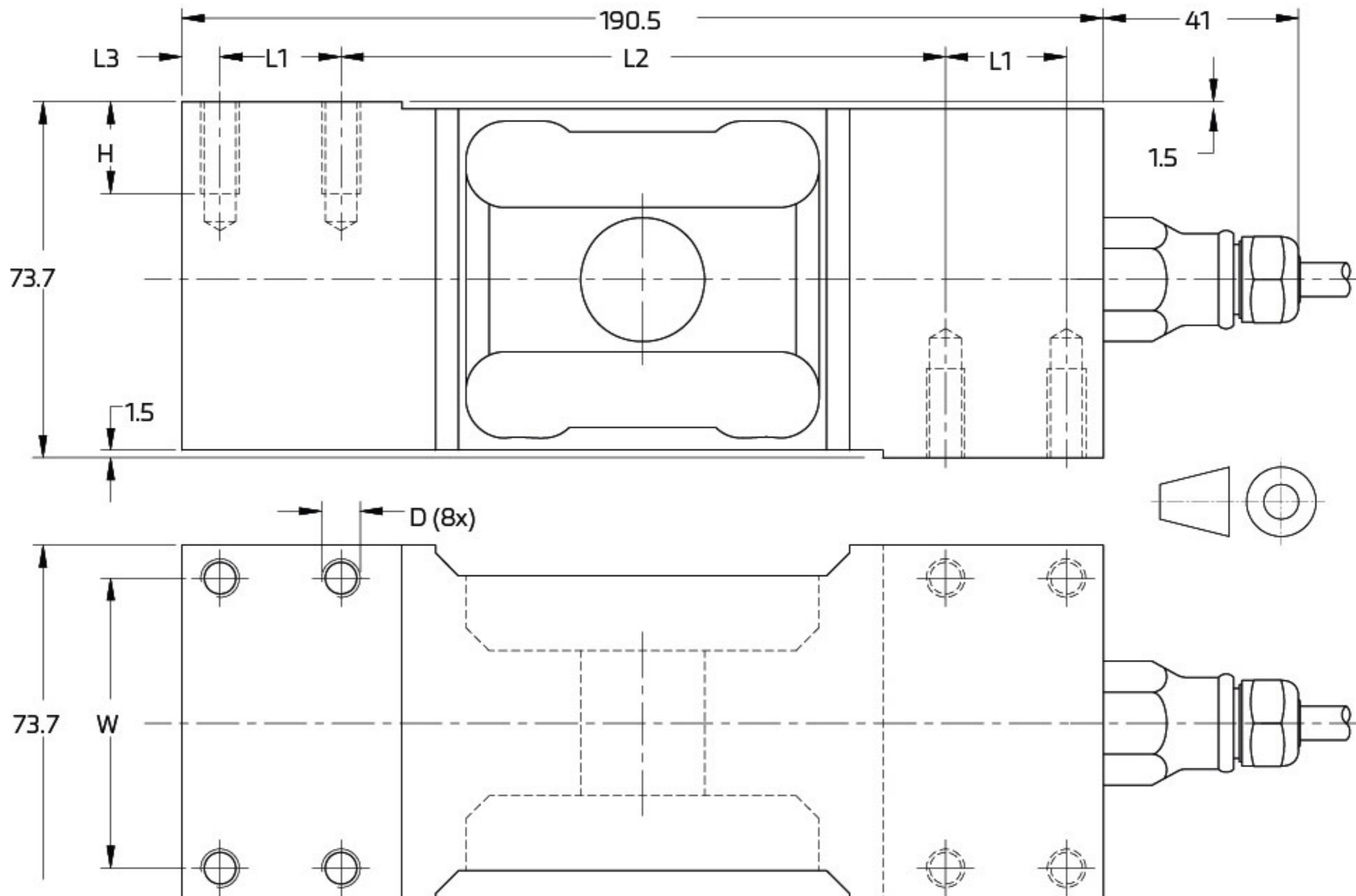


RoHS
compliant



제품 규격 [UNIT : mm]

Product Specification



Type	L1	L2	L3	H	W	D	Mounting bolts	Torque 1)
PCB-50/100/250/500/1,000 kg	25	125	8	19	60	M8 2)	M8 8.8 / PCB-1,000 kg: M8 12.9	25 Nm
PCBB-500/1,000 kg	35	104,5	8	25	57	M12	M12 8.8	90 Nm
PCBC-50/100/250/500/1,000 kg	35	107	6.75	19	50	M8 2) 3)	M8 8.8	25 Nm

wiring

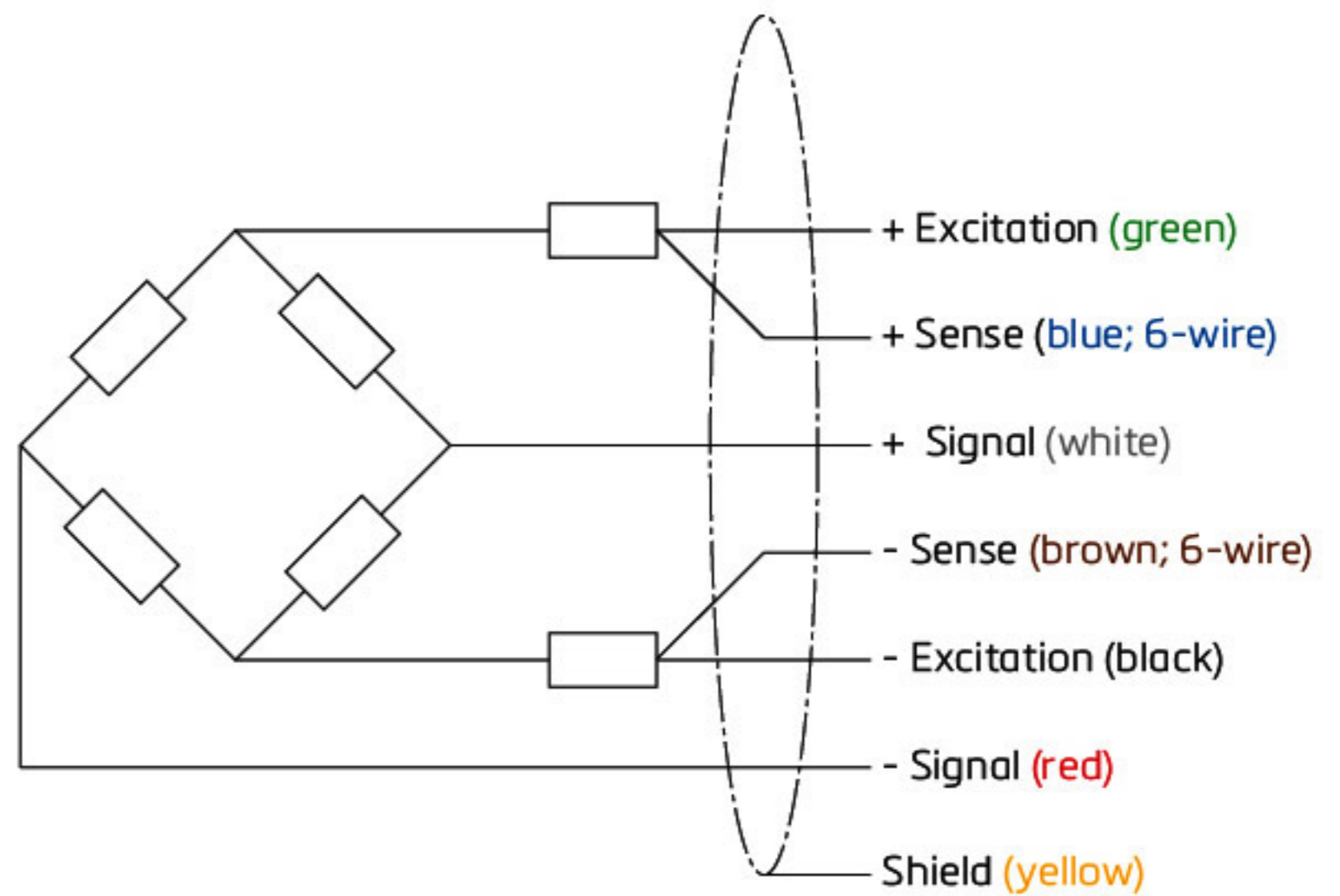
The load cell is provided with a shielded, 6 conductor cable (AWG 26) or with a shielded, 4 conductor cable (AWG 24).

Cable jacket: polyurethane.

Cable length: 3 m

Cable diameter: 5 mm

The shield is floating or connected to the load cell body



- ▶ 동적 계량 어플리케이션에 최적화된 로드셀
- ▶ 싱글 타입으로 50kg~1000kg의 다양한 모델로 고정밀 성능을 제공
- ▶ 완벽한 스테인레스 강 주조로 식품 및 화학 공정 분야 환경에서 최적화
- ▶ 방수용 벤치저울 / 방수용 플랫폼 저울 / 화학 및 제약 식품 저울 등

Maximum capacity (E_{max})	kg	50 / 100 / 250 / 500 / 1,000		
Accuracy class according to OIML R60		(GP)	C3	C3 MI 6
Maximum number of verification intervals (n_{LC})		n.a.	3,000	
Minimum load cell verification interval (v_{min})		n.a.	$E_{max} / 12,500$	
Temperature effect on minimum dead load output (TC_0)	%*RO/10°C	± 0.0400	± 0.0112	
Temperature effect on sensitivity (TC_{RO})	%*RO/10°C	± 0.0200	± 0.0100	
Combined error	%*RO	± 0.0500	± 0.0200	± 0.0180
Non-linearity	%*RO	± 0.0400	± 0.0166	± 0.0166
Hysteresis	%*RO	± 0.0400	± 0.0166	± 0.0083
Creep error (30 minutes) / DR	%*RO	± 0.0600	± 0.0166	± 0.0083
Optional: Min. load cell verification interval ($v_{min opt}$)		n.a.	$E_{max} / 20,000$; 250 kg or higher: $E_{max} / 25,000$	
Optional: Temp. effect on min. dead load output ($TC_0 opt$)	%*RO/10°C	n.a.	± 0.0070; 250 kg or higher: ± 0.0056	
Rated Output (RO)	mV/V	2 ± 5%		
Zero balance	%*RO	± 5		
Excitation voltage	V	5...15		
Input resistance (R_{LC})	Ω	1100 ± 50		
Output resistance (R_{out})	Ω	960 ± 50		
Insulation resistance (100 V DC)	MΩ	≥ 5000		
Safe load limit (E_{lim})	%* E_{max}	200		
Ultimate load	%* E_{max}	300		
Safe side load	%* E_{max}	100		
Maximum platform size; loading acc. to OIML R76	mm	600 x 600 for 50 kg / 800 x 800 for 100 kg / 1,000 x 1,000 for 250...1,000 kg		
Maximum off centre distance at maximum capacity	mm	200 for 50 kg / 250 for 100...500 kg / 300 for 1,000 kg		
Compensated temperature range	°C	-10...+40		
Operating temperature range	°C	-40...+80 (ATEX -40...+60)		
Load cell material		stainless steel 17-4 PH (1.4548)		
Sealing		complete hermetic sealing; cable entry sealed by glass to metal header		
Protection according EN 60 529		IP68 (up to 2 m water depth) / IP69K		
Packet weight	kg	5.4 (50-100kg), 5.7 (250-500kg), 5.8 (1,000kg)		

- ▶ **Stainless Steel 구조 / 완전 용접 구조 밀봉**
- ▶ **동적 계량 / 높은 정확도**
- ▶ **플랫폼 규격 600 X 600mm**
- ▶ **로드셀 케이블 : 폴리 우레탄 3m x 5mm**
- ▶ **EN 60 529에 따른 보호 : IP 68(up to 2m) / 69K**

모 델	용 량 (kg)	집판규격 (mm)	등 급	재 질
PC 22	5,20,30,40	350 × 350	C3	Aluminum
PC 42	5,10,20,30,50,100,200	400 × 400	C3	Aluminum
PC 46	50,100,150,200,250	400 × 400	C4	Aluminum
PC 1	7.5,10,15,30,50,75,100,200	600 × 600	C4	Stainless Steel
PC 6	10,20,50,100,200	600 × 600	C4	Stainless Steel
PC 7	100,250,500	600 × 600	C4	Stainless Steel
PC 60	30,50,100,150,200,300,500,750	600 × 600	C3	Aluminum
PC 12	20	600 × 600	C3	Stainless Steel
PC 2	20	600 × 600	G3*	Stainless Steel
	150	1000 × 1000	G3*	Stainless Steel
PCB	50/100/250/500/1000	1000 × 1000	C3M16	Stainless Steel
PC 2H	2000	1200 × 1200	C3	Stainless Steel