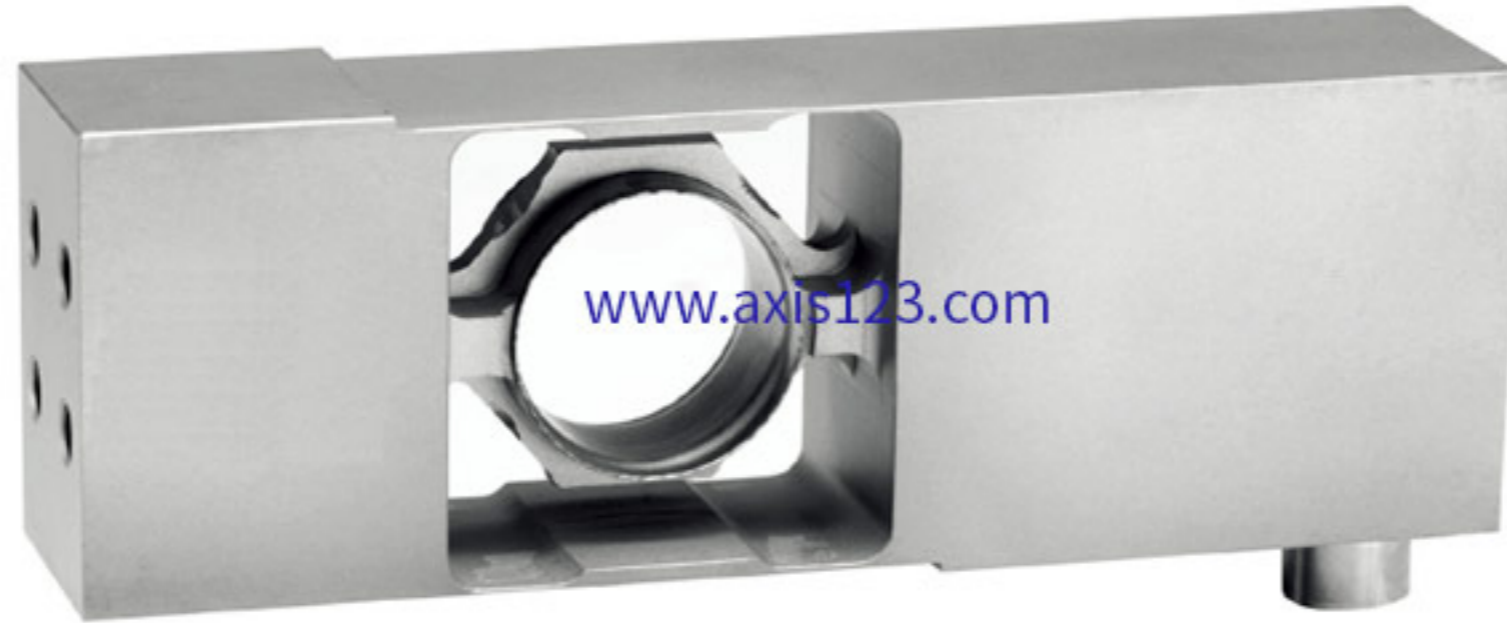




Since 1994, DIGITAL LEADER Axis Sensitive Co. Ltd
Industrial Explosion Proof Load Cell



MODEL : PC6D-EXP

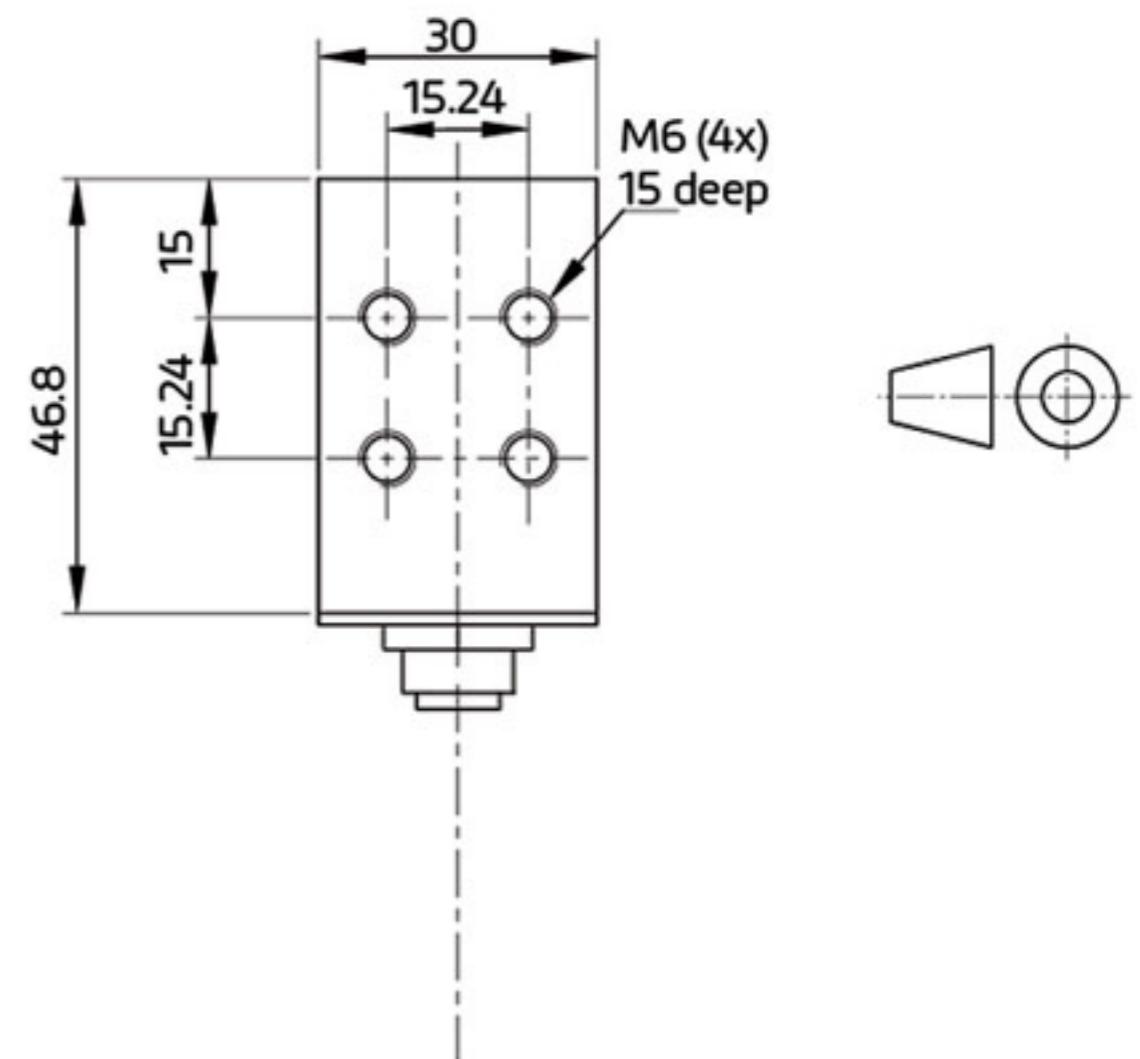
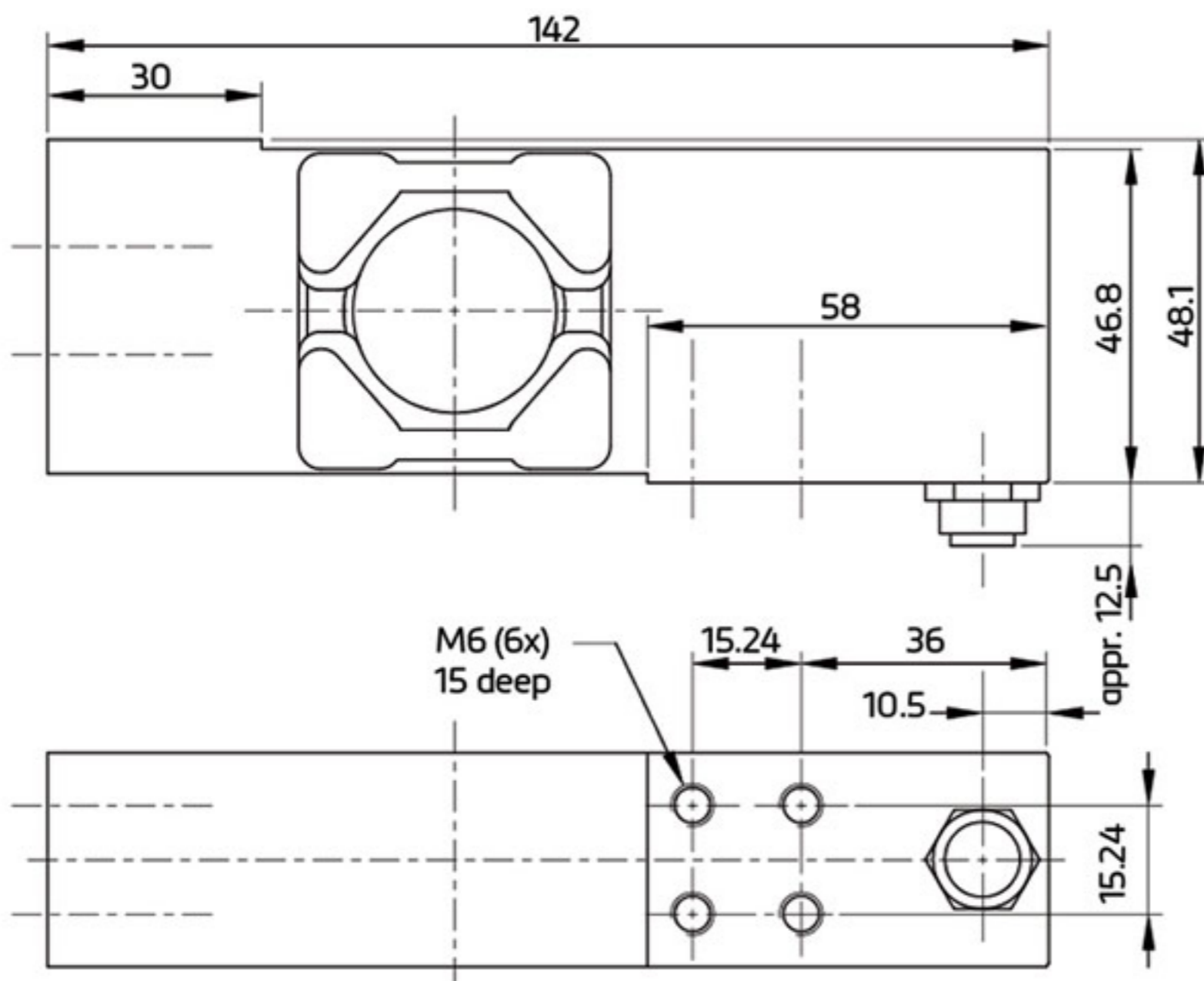


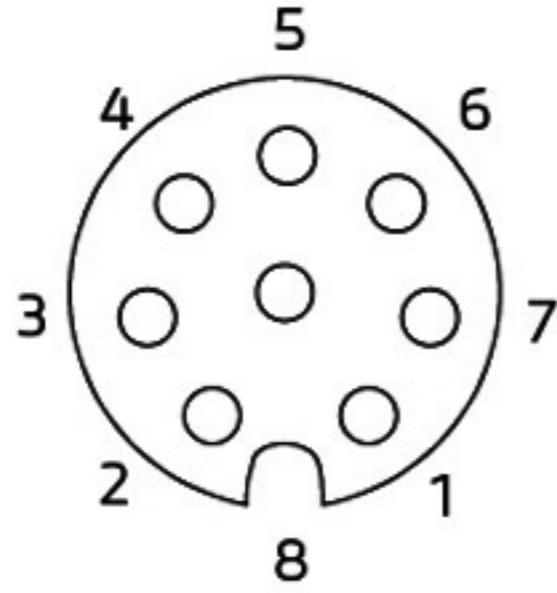
RoHS
compliant



제품 규격 [UNIT : mm]

Product Specification





The load cell is provided with a M12 female cable connector (type PRKFM, stainless steel).

The connector housing is connected to the load cell body.

Connector pin	Function
8	UB + 24 V DC
1	GND
7	CANH out
3	CANH in
6	CANL out
5	CANL in
2 and 4	not connected

- ▶ 싱글 포인트의 디지털 로드셀
- ▶ CANopen 인터페이스 / 멀티 헤드 계량 장비를 위해 특수 설계
- ▶ 일반 컴퓨터와 PLC 및 주문형 시스템에 쉽게 사용이 가능
- ▶ 포장기계 및 열악한 환경에서 사용이 가능
- ▶ 멀티 헤드 계량기 / 고속 웨이징 체커등에 적합

선택 사양

2 Firmware version / Base plate with overload stop

Maximum capacity (E_{max})	kg	20
Accuracy class according to OIML R60		G3*
Maximum number of verification intervals (n_{LC})		3,000
Minimum load cell verification interval (v_{min})		$E_{max} / 20,000$
Temperature effect on minimum dead load output (TC_0)	%*RO/10°C	± 0.0070
Temperature effect on sensitivity (TC_{RO})	%*RO/10°C	± 0.0100
Combined error	%*RO	± 0.0200
Non-linearity	%*RO	± 0.0166
Hysteresis	%*RO	± 0.0166
Creep error (30 minutes) / DR	%*RO	± 0.0166
Rated Output (RO)	counts	200,000 ± 200 (± 0.1%*RO)
Zero balance	counts	± 2,000 (± 1%*RO)
Internal resolution	counts	520,000
Power supply	V DC	12...24 ± 10% / 32 mA
Switch on current	mA	< 100
Conversion rate internal / external (values per second)		2,400 / up to 1,200
Digital filter		FIR filter 2.5 to 19.7 Hz / IIR filter 0.25 to 18 Hz; programmable in 8 steps
CANopen interface		Standard CiA DS301 / 10 k...1 Mbit/s (automatic)
Max. cable length	m	≤ 25 at 1 Mbit/s ≤ 100 at 500 kbit/s
Bus termination resistor		switchable
EMC		CE 73/23/EEC, 93/98/EEC and 89/336/EEC
Safe load limit		200
Ultimate load	%* E_{max}	300
Safe side load	%* E_{max}	100
Maximum platform size; loading acc. to OIML R76	mm	450 x 450
Maximum off centre distance at maximum capacity	mm	150
Compensated temperature range	°C	-10...+50
Operating temperature range	°C	-10...+50
Storage temperature range	°C	-20...+60
Load cell material		stainless steel 17-4 PH (1.4548)
Sealing		complete hermetic sealing
Protection according EN 60 529		IP68 (up to 2 m water depth) / IP69K
Packet weight	kg	1.4

- ▶ **Stainless Steel**
- ▶ **밀폐형 구조**
- ▶ **초당 1200회 최대 변환 속도**
- ▶ **EN 60 529에 따른 보호 : IP68(up to 2m 물 깊이) / 69K**

모 델	용 량 (kg)	집판규격 (mm)	등 급	재 질
PC 22	5,20,30,40	350 × 350	C3	Aluminum
PC 42	5,10,20,30,50,100,200	400 × 400	C3	Aluminum
PC 46	50,100,150,200,250	400 × 400	C4	Aluminum
PC 1	7.5,10,15,30,50,75,100,200	600 × 600	C4	Stainless Steel
PC 6	10,20,50,100,200	600 × 600	C4	Stainless Steel
PC 7	100,250,500	600 × 600	C4	Stainless Steel
PC 60	30,50,100,150,200,300,500,750	600 × 600	C3	Aluminum
PC 12	20	600 × 600	C3	Stainless Steel
PC 2	20	600 × 600	G3*	Stainless Steel
	150	1000 × 1000	G3*	Stainless Steel
PCB	50/100/250/500/1000	1000 × 1000	C3M16	Stainless Steel
PC 2H	2000	1200 × 1200	C3	Stainless Steel