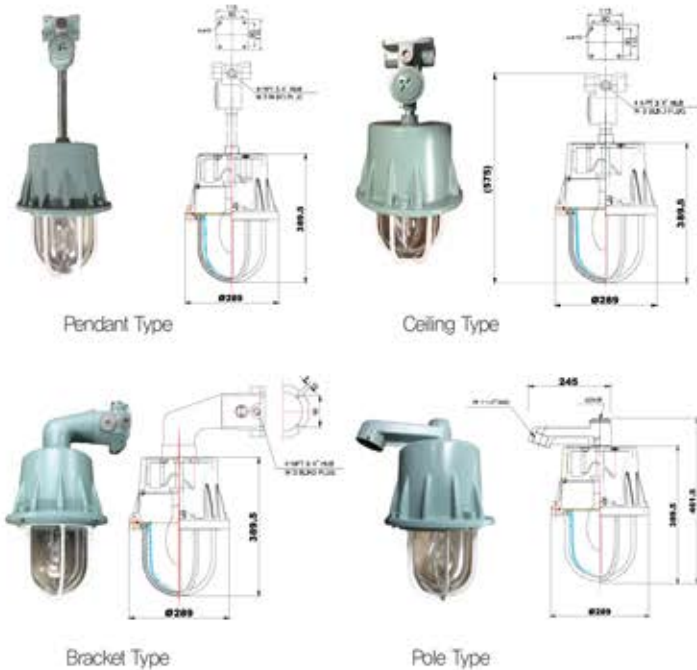


Dustproof Type Mercury, Hi-Sodium, Metal Halide Lighting Fixtures  
방폭형 분진 메탈 / 나트륨 / 수은등 (안정기 내장형)

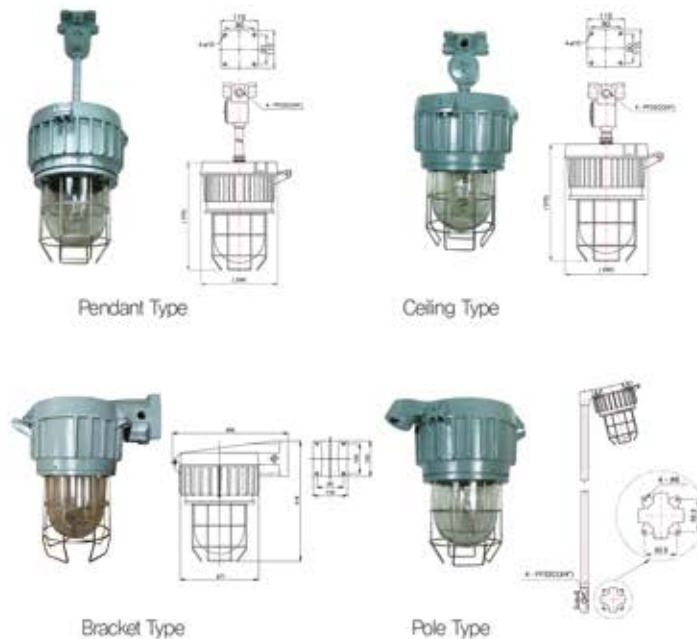


\* 분진 방폭 등급 : Ex tD A21 T200°C IP66 \* / AC 220V 50/60Hz

Type	Model Number	Lamp Watt(W)	Weight(kg)
Pendant 천정 긴형	SPVL-TD-170	70	10.5
	SPVL-TD-1100	100	10.5
	SPVL-TD-1150	150	10.5
	SPVL-TD-1175	175	10.5
	SPVL-TD-1250	250	10.5
Ceiling 천정형	SPVL-TD-270	70	10
	SPVL-TD-2100	100	10
	SPVL-TD-2150	150	10
	SPVL-TD-2175	175	10
	SPVL-TD-2250	250	10
Bracket	SPVL-TD-370	70	12
	SPVL-TD-3100	100	12
	SPVL-TD-3150	150	12
	SPVL-TD-3175	175	12
	SPVL-TD-3250	250	12
Pole	SPVL-TD-470	70	
	SPVL-TD-4100	100	
	SPVL-TD-4150	150	
	SPVL-TD-4175	175	
	SPVL-TD-4250	250	

재질 : Mounting Box, Body, Hood : Die Cast Aluminum Alloy / Globe Guard : Die Casting  
Ballast Housing : Steel & Die Cast Aluminum Alloy / Globe : Heat Resistant Hard Glass  
Inner Reflector : High Purity Sheet Aluminum / Mogul : Porcelain With Mogul Socket / Pole : Steel

Non-Sparking Mercury, Hi-Sodium, Metal Halide Lighting Fixtures (Ballast outer Type)  
방폭형 비점화 메탈 / 나트륨 / 수은등



\* 방폭 등급 : 250W : Ex nR II T3 / 400W : Ex nR II T2 \* / AC 220V

Type	Model Number	Lamp Watt(W)	Weight(kg)
Pendant 천정 긴형	SPHL-115	150 (175)	9.5
	SPHL-125	250	9.5
	SPHL-140	400	12
Ceiling 천정형	SPHL-215	150 (175)	9.2
	SPHL-225	250	9.2
	SPHL-240	400	11.7
90° Bracket	SPHL-315	150 (175)	9.5
	SPHL-325	250	9.5
	SPHL-340	400	12
40° Bracket	SPHL-415	150 (175)	9.5
	SPHL-425	250	9.5
	SPHL-440	400	12
Pole	SPHL-515	150 (175)	
	SPHL-525	250	
	SPHL-540	400	

재질 : Mounting Box, Guard : Die Cast Aluminum Alloy / Body : Sheet Aluminum Alloy  
Ballast Housing : Cast Aluminum Alloy & Steel / Globe : Heat Resistant Hard Glass  
Inner Reflector : High Purity Sheet Aluminum / Mogul : Porcelain With Mogul Socket / Pole : Steel