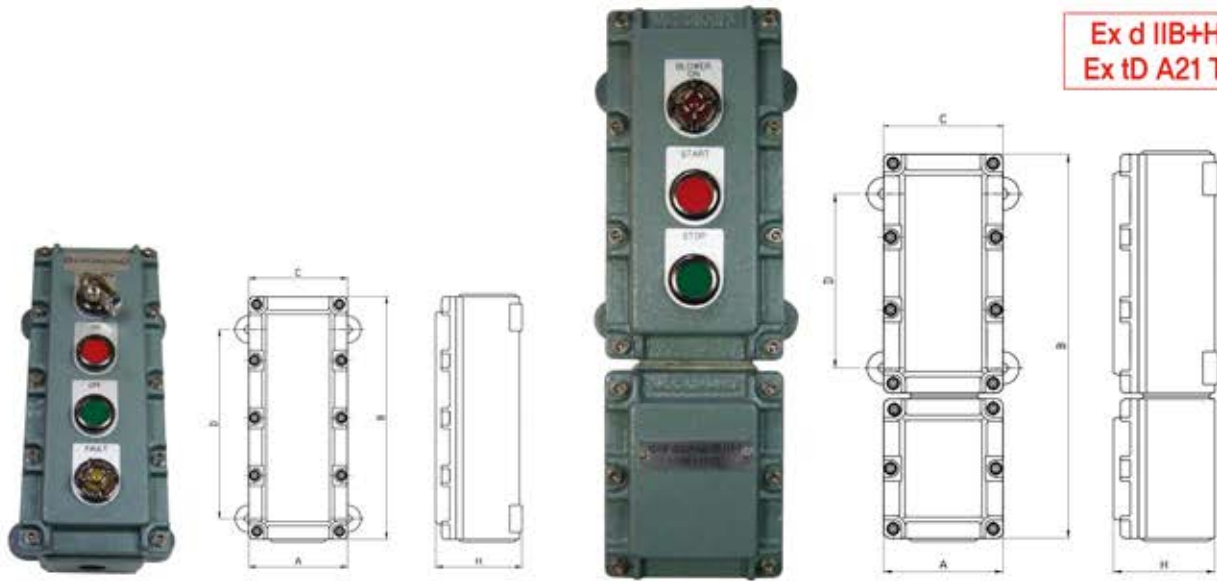
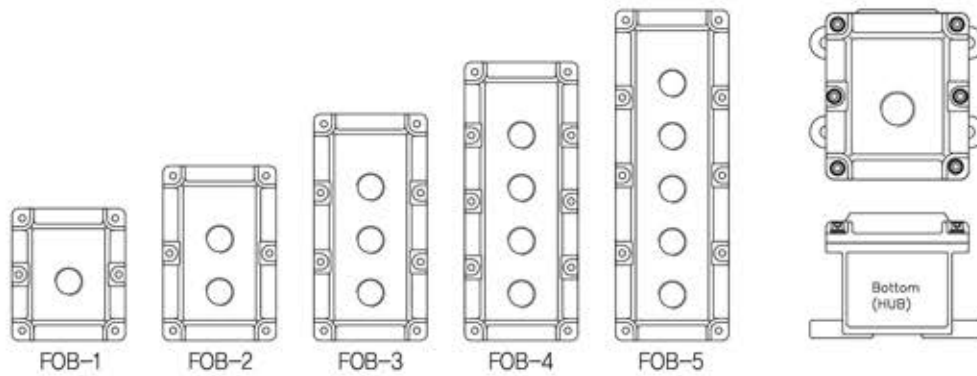


Ex d IIB+H2 T6 IP65
Ex tD A21 T85°C IP65



• Data (Body)

형 태	모 델	Max. T/B	Dimension(mm)					
		20A	A	B	C	D	ØX	H
A	FOB-1	4 P	120	140	120	75	10	105
	FOB-2	6 P	120	185	120	12	10	105
	FOB-3	12 P	120	240	120	175	10	105
	FOB-4	15 P	120	295	120	230	10	105
	FOB-5	20 P	120	350	120	285	10	105
B	FOB-11	4 P	120	280	120	75	10	105
	FOB-21	6 P	120	325	120	120	10	105
	FOB-31	12 P	120	380	120	175	10	105
	FOB-41	15 P	120	435	120	230	10	105
	FOB-51	20 P	120	490	120	285	10	105



• Data (Cover)

모 델	규 격	M30 (Switch)	#54 (Meter Switch Unit)
FOB-1	4 P	120	140
FOB-2	6 P	120	185
FOB-3	12 P	120	240
FOB-4	15 P	120	295
FOB-5	20 P	120	350

• Max. size hubs that can be used

모 델	Connection Hub Type	Max HUB QTY (PF, NPT, M)					
		#16(1/2")	#22(3/4")	#28(1")	#36(1 1/4")	#42(1 1/2")	#54(2")
FOB-1	Bottom	M20	M25	M32	M40	M50	M63
FOB-2	Bottom	3/5	2/3	2/3	1/2	1/2	1/1
FOB-3	Bottom	5/5	3/3	2/2	2/2	-/-	-/-
FOB-4	Bottom	5/5	3/4	3/3	2/2	2/2	2/2
FOB-5	Bottom	5/7	4/7	3/4	2/3	2/3	2/3

• Materials Data

Descriptions	Materials
Body	Cast Aluminum Alloy
Cover	Cast Aluminum Alloy