



Since 1994, DIGITAL LEADER Axis Sensitive Co. Ltd



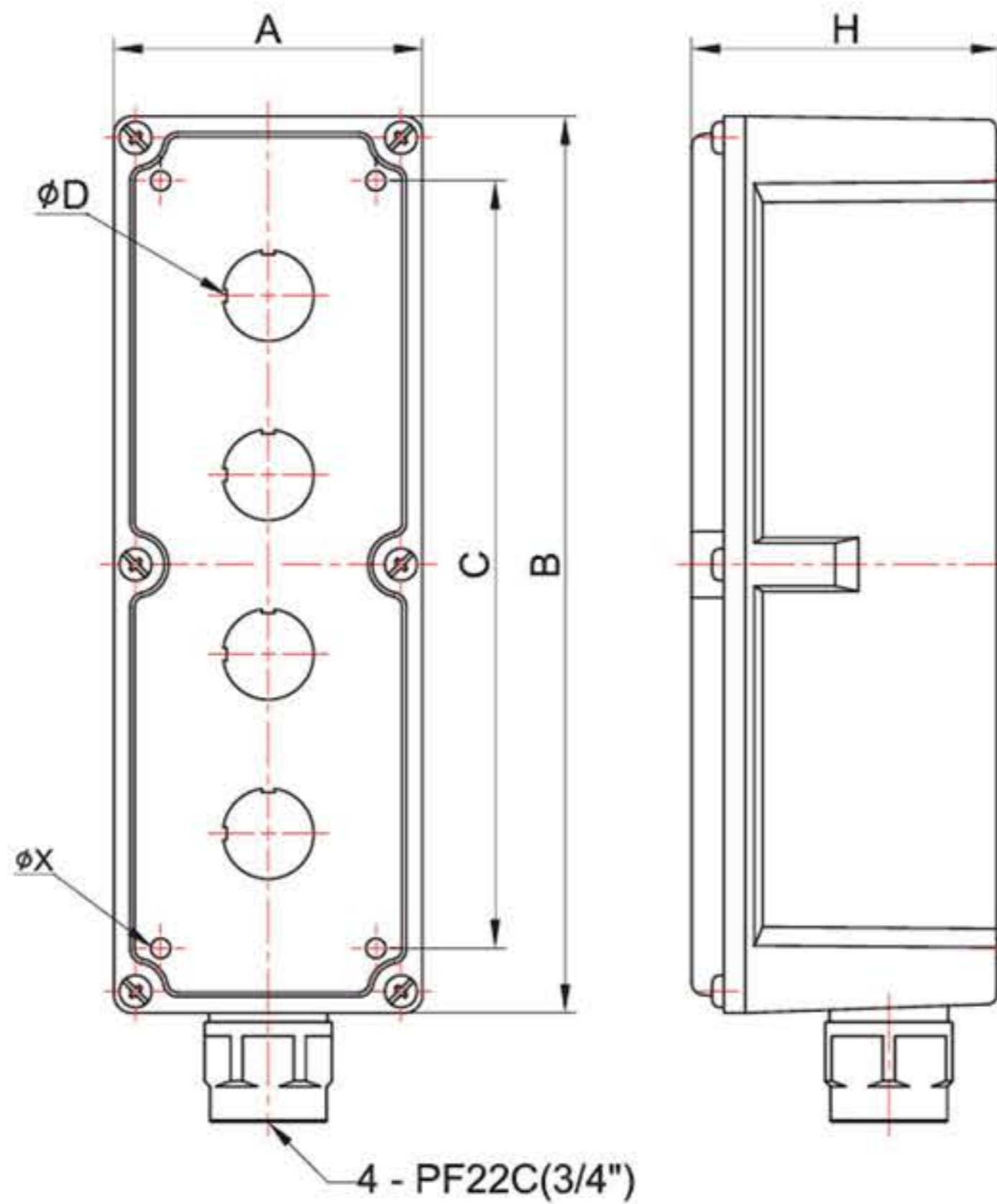
Industrial Explosion Proof Balance Scales

MODEL : DCS-11,21,31,41,51



제품 규격 [UNIT : mm]

Product Specification



Data (Body)

형 태	Type (Ø25)	Dimension(mm)					
		A	B	C	ØD	ØX	H
DCS-11	1 G	86	150	114	30.3	5.5	86
DCS-21	2 G	86	150	114	30.3	5.5	86
DCS-31	3 G	86	250	214	30.3	5.5	86
DCS-41	4 G	86	250	214	30.3	5.5	86
DCS-51	5 G						

- Ⓟ PB ON, OFF Push button switched, AC500V 3A
- ⓀPB Key locked ON, OFF Push button switches AC250V 6A
- Ⓢ Selector switched, AC250V 6A 2&3 notch positions
- Ⓟ PL Pilot lamps AC110V 220V 18V sW, Red, Green, White color globe
- Ⓜ Meter boxes Ampermeter & Volt meters 5A 15A 30/5A 300/5A
- Ⓩ Buzzer Signales AC110V 220V, DC12V 24V
- Ⓞ CS Cam Switches AC250V 6A max. position 6 Max notch – 12

- ▶ 폭발 위험 물질 계량 및 PSM(Process Safety Management) / 화관법 / 화평법 적용 대상 업체에 사용
- ▶ 석유화학, 화학계열, 도료, 잉크, 가스, LPG 등 폭발 위험성이 있는 제품 업체에 사용