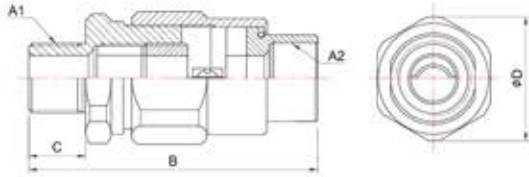


Ex d IIC IP66



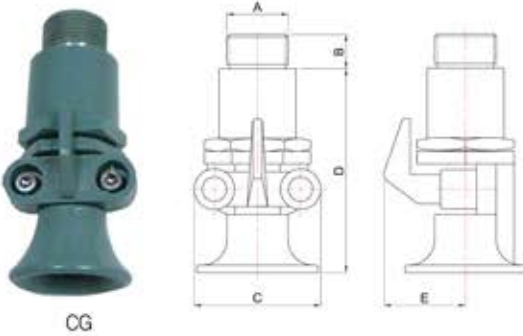
• Data

모 델	Cable Size	HubSize(PF)		Dimensions (mm)		
		A1	A2	B	C	D
SS-16	7~11	16 (1/2")	16 / 16	76	16	37
SS-22	10~15	22 (3/4")	22 / 22	80	16	41
SS-28	14~20	28 (1")	28 / 28	92	20	50
SS-36	18~22	36 (1 1/4")	36 / 36	98.5	21	58.5
SS-42	23~28	42 (1 1/2")	42 / 42	110	22	67
SS-54	27~32	54 (2")	54 / 54	113	26	80
SS-70	41~46	70 (2 1/2")	70 / 70	130	31	98

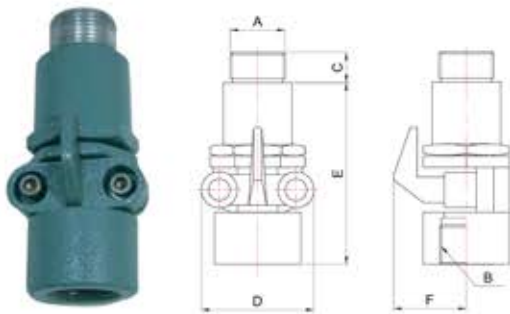
• Materials Data

Descriptions	Materials
Body	Brass & Stainless Steel

Ex d IIC IP66



CG



GC

• Data

모 델	Cable Size	HubSize(PF)		Dimensions (mm)			
		A	B	C	D(Max)	E	
CG-16	6~8	16 (1/2")	18	46	58	24	
CG-22	11~13	22 (3/4")	18.5	48.5	66	26.5	
CG-28	18~20	28 (1")	23	59	74	28	
CG-36	21~23	36 (1 1/4")	25	66	87.5	40	
CG-42	32~34	42 (1 1/2")	26	85	123	50	
CG-54	43~45	54 (2")	27	93	130	54.5	

모 델	Cable Size	HubSize(PF)		Dimensions (mm)			
		A	B	C	D	E(Max)	F
GC-16	6~8	16 (1/2")	16 (1/2")	18	46	58	24
GC-22	11~13	22 (3/4")	22 (3/4")	18.5	48.5	66	26.5
GC-28	18~20	28 (1")	28 (1")	23	59	74	28
GC-36	21~23	36 (1 1/4")	36 (1 1/4")	25	66	87.5	40
GC-42	32~34	42 (1 1/2")	42 (1 1/2")	26	85	123	50
GC-54	43~45	54 (2")	54 (2")	27	93	130	54.5

• Materials Data

Descriptions	Materials
Body	Brass & Stainless Steel