

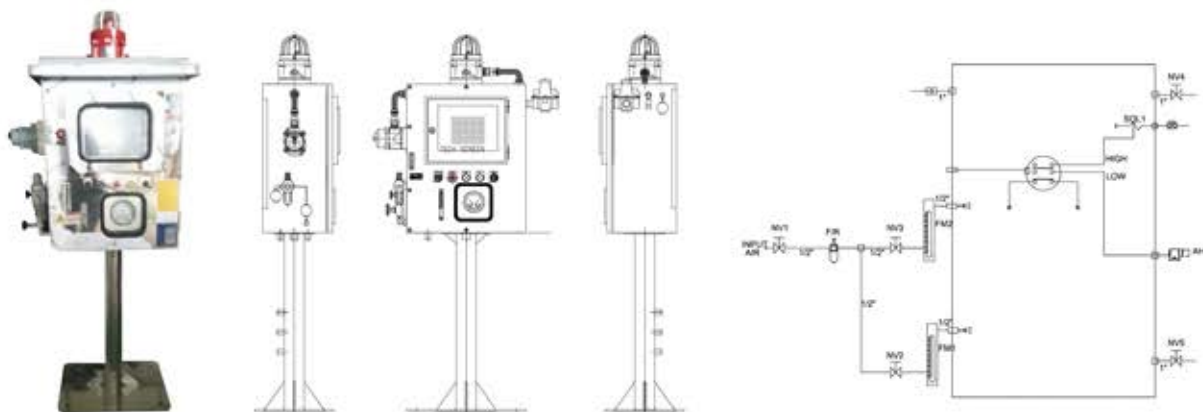
Ex pz II T4

• Data

| 최대 전압 | 규격 | 온도 | 습도 | Protection Gas | Materials |
|----------------|------|----------------|---------------|----------------|---------------|
| AC 380V / 220V | Max. | -20°C Ta +40°C | 85% less than | Air & N2 | SS41 / SUS304 |

• Circuit Diagram

| NO | TAG | DESCRIPTION | SPEC | NO | TAG | DESCRIPTION | SPEC |
|----|-------|------------------|---------|----|------|------------------|----------|
| 1 | NV1~2 | NEEDLEVALVE | 1/2" | 7 | PS | PRESSURE SWITCH | 2000~100 |
| 2 | NV3 | NEEDLEVALVE | 3/8" | 8 | RV | RELIEF VALVE | mmH2O |
| 3 | NV4~5 | REGULATOR | 1/2" | 9 | AH | SIREN | J48K |
| 4 | F/R | FILTER REGULATOR | W300-10 | 10 | SOL1 | SOLENOID VALVE | 3/8" |
| 5 | FM1 | FLOW METER | RMB300 | 11 | SC | SPEED CONTROLLER | 3/8" |
| 6 | FM2 | FLOW METER | RMB100 | | | | |



Ex pz II T4

• Data

| 최대 전압 | 규격 | 온도 | 습도 | Protection Gas | Materials |
|---------|------|----------------|---------------|----------------|---------------|
| AC 220V | Max. | -20°C Ta +40°C | 85% less than | Air & N2 | SS41 / SUS304 |

• Circuit Diagram

| NO | TAG | DESCRIPTION | SPEC | NO | TAG | DESCRIPTION | SPEC |
|----|-------|------------------|---------|----|------|------------------|----------|
| 1 | NV1~2 | NEEDLEVALVE | 1/2" | 7 | PS | PRESSURE SWITCH | 2000~100 |
| 2 | NV3 | NEEDLEVALVE | 3/8" | 8 | RV | RELIEF VALVE | mmH2O |
| 3 | NV4~5 | REGULATOR | 1/2" | 9 | AH | SIREN | J48K |
| 4 | F/R | FILTER REGULATOR | W300-10 | 10 | SOL1 | SOLENOID VALVE | 3/8" |
| 5 | FM1 | FLOW METER | RMB300 | 11 | SC | SPEED CONTROLLER | 3/8" |
| 6 | FM2 | FLOW METER | RMB100 | | | | |