



Since 1994, DIGITAL LEADER Axis Sensitive Co. Ltd  
**Industrial Explosion Proof Load Cell**



**MODEL : PC2-EXP**

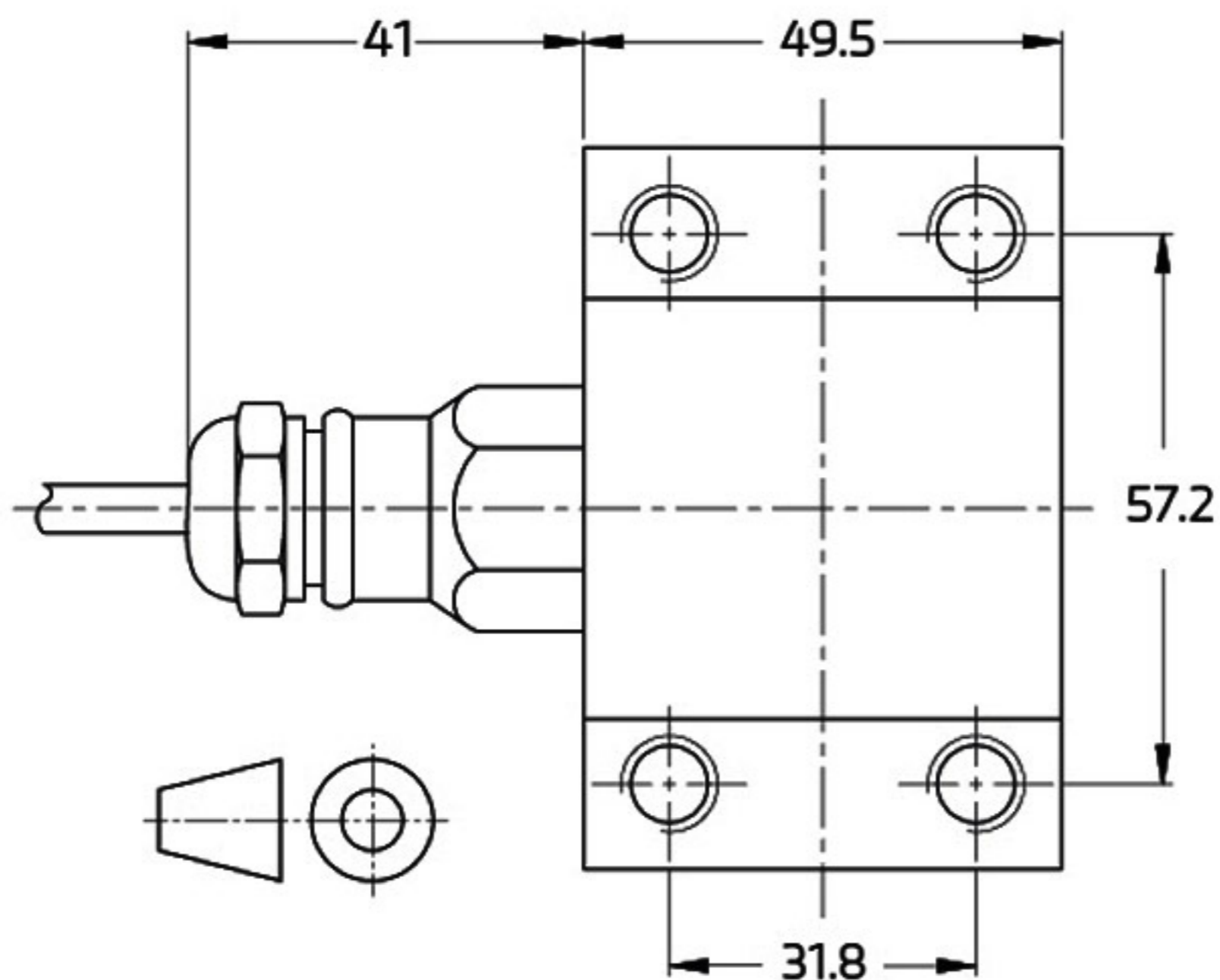


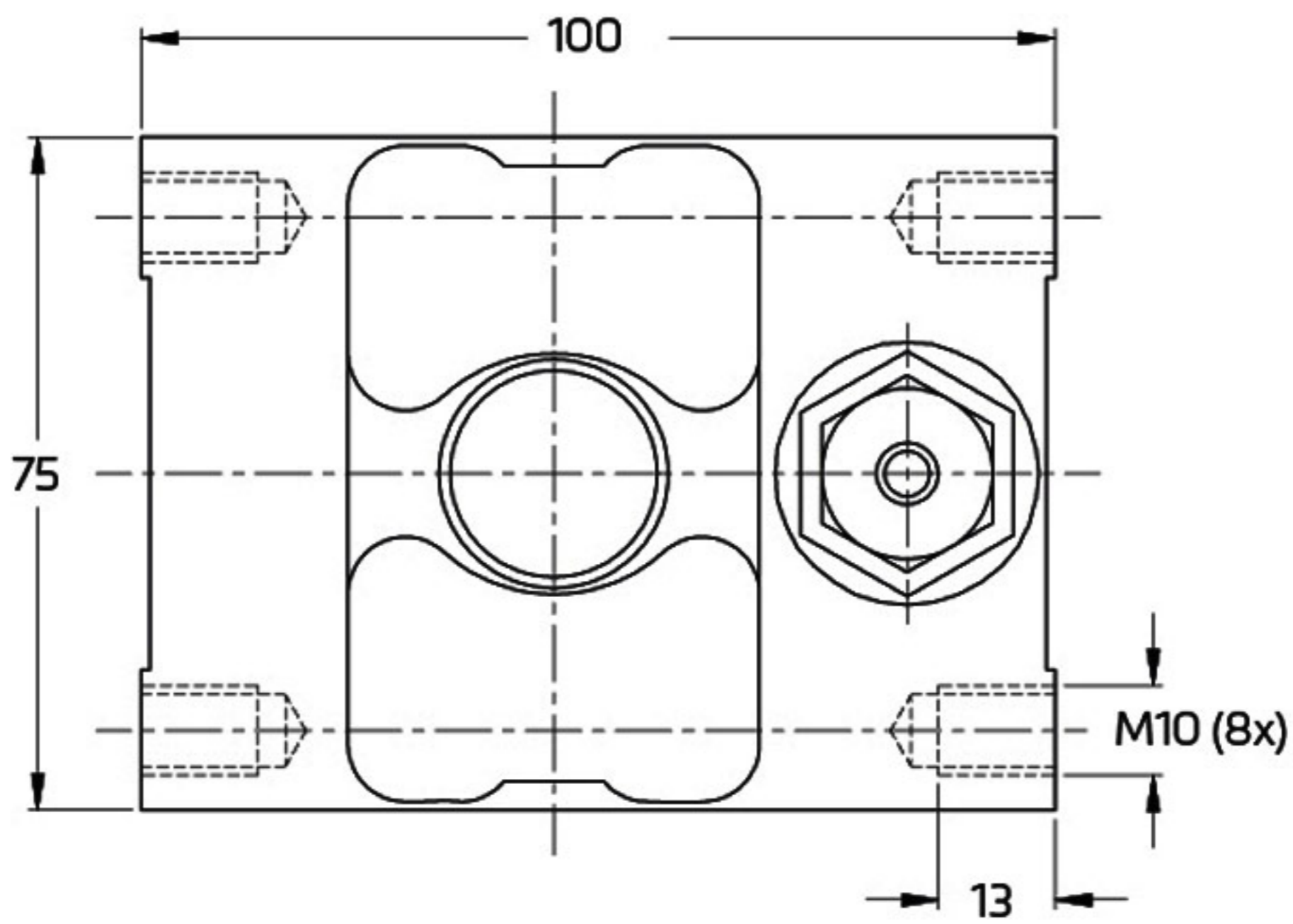
RoHS  
compliant



제품 규격 [UNIT : mm]

Product Specification





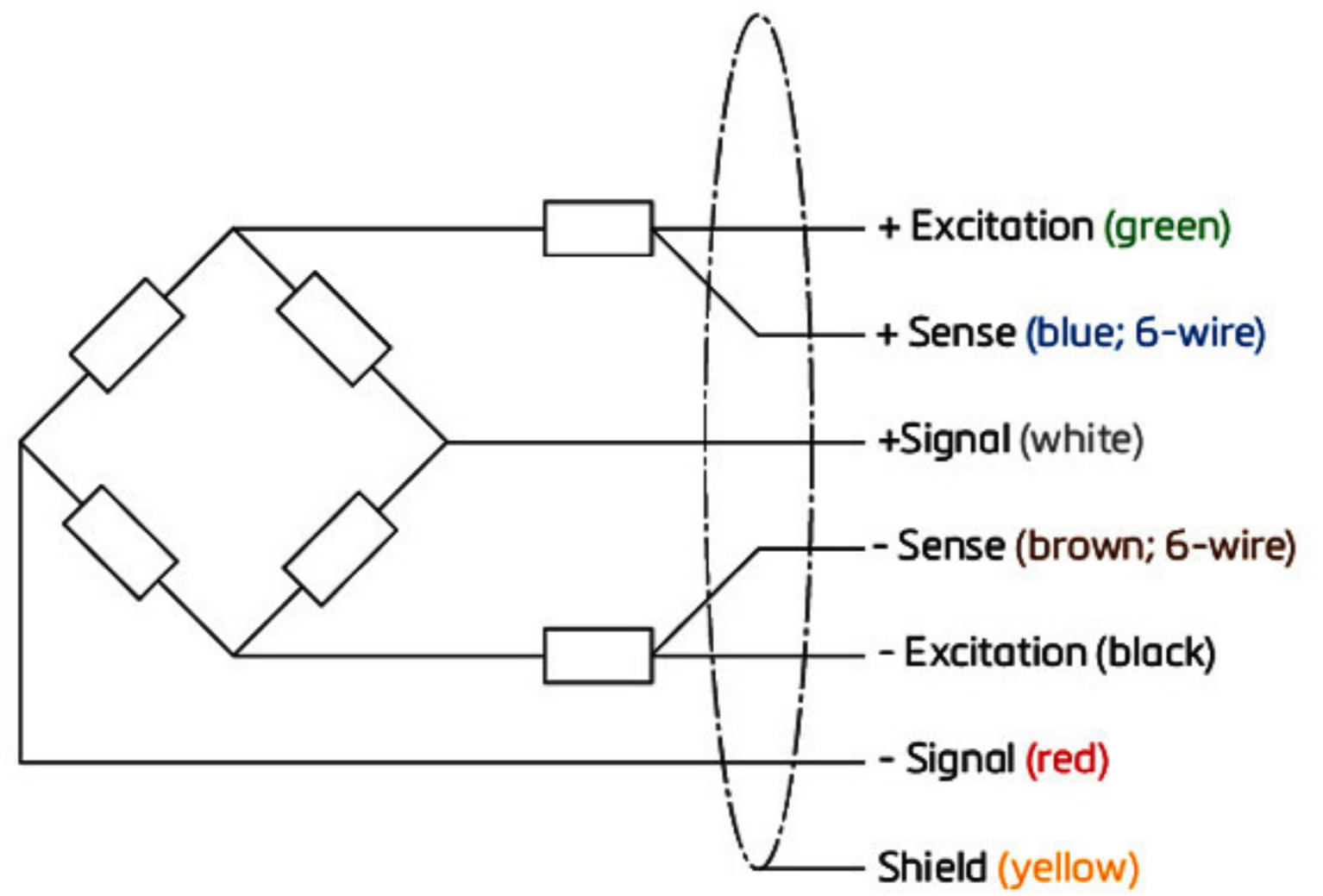
The load cell is provided with a shielded, 6 conductor cable (AWG 26) or with a shielded, 4 conductor cable (AWG 24).

Cable jacket: polyurethane

Cable length: 3 m

Cable diameter: 5 mm

The shield is floating or connected to the load cell body



- ▶ 일반적인 산업용 계량기 제작을 위한 엔드 마운트형 싱글 포인트 로드셀
- ▶ 밀완벽 밀봉 구조
- ▶ 동적 및 정적 장비에서 높은 정확도의 계량 결과를 제공
- ▶ 플랫폼 저울 / 중량 선별기 / 선박용 저울 / 호퍼 저울 등

Maximum capacity ( $E_{max}$ )	kg	20 / 150	
Accuracy class according to OIML R60		(GP)	G3*
Maximum number of verification intervals ( $n_{LC}$ )		n.a.	3,000
Minimum load cell verification interval ( $v_{min}$ )		n.a.	$E_{max}/10,000$
Temperature effect on minimum dead load output ( $TC_0$ )	%*RO/10°C	± 0.0400	± 0.0140
Temperature effect on sensitivity ( $TC_{RO}$ )	%*RO/10°C	± 0.0200	± 0.0100
Combined error	%*RO	± 0.0500	± 0.0200
Non-linearity	%*RO	± 0.0400	± 0.0166
Hysteresis	%*RO	± 0.0400	± 0.0166
Creep error (30 minutes)	%*RO	± 0.0600	± 0.0166
Rated Output (RO)	mV/V	2 ± 5%	
Zero balance	%*RO	± 5	
Excitation voltage	V	5...15	
Input resistance (100 V DC) ( $R_{LC}$ )	Ω	1,100 ± 50	
Output resistance ( $R_{out}$ )	Ω	960 ± 50	
Insulation resistance	MΩ	≥ 5,000	
Safe load limit ( $E_{lim}$ )	%* $E_{max}$	200	
Ultimate load	%* $E_{max}$	300	
Safe side load	%* $E_{max}$	100	
Maximum platform size; loading acc. to OIML R76	mm	600 x 600 for 20 kg / 1,000 x 1,000 for 150 kg	
Maximum off centre distance at maximum capacity	mm	250 for 20 kg / 400 for 150 kg	
Compensated temperature range	°C	-10...+40	
Operating temperature range	°C	-40...+80 (ATEX -40...+60)	
Load cell material		stainless steel 17-4 PH (1.4548)	
Sealing		complete hermetic sealing; cable entry sealed by a glass to metal header	
Protection according EN 60 529		IP68 (up to 2 m water depth) / IP69K	
Packet weight	kg	1.8 (20kg), 2.0 (150kg)	

- › **Stainless Steel 구조 / 완벽 밀봉 구조**
- › **다양한 용량 / 높은 정확도**
- › **싱글 포인트 플랫폼 1000 X 1000mm, 저용량 호퍼 시스템에 이상적**

모 델	용 량 (kg)	짐판규격 (mm)	등 급	재 질
PC 22	5,20,30,40	350 × 350	C3	Aluminum
PC 42	5,10,20,30,50,100,200	400 × 400	C3	Aluminum
PC 46	50,100,150,200,250	400 × 400	C4	Aluminum
PC 1	7.5,10,15,30,50,75,100,200	600 × 600	C4	Stainless Steel
PC 6	10,20,50,100,200	600 × 600	C4	Stainless Steel
PC 7	100,250,500	600 × 600	C4	Stainless Steel
PC 60	30,50,100,150,200,300,500,750	600 × 600	C3	Aluminum
PC 12	20	600 × 600	C3	Stainless Steel
PC 2	20	600 × 600	G3*	Stainless Steel
	150	1000 × 1000	G3*	Stainless Steel
PCB	50/100/250/500/1000	1000 × 1000	C3M16	Stainless Steel
PC 2H	2000	1200 × 1200	C3	Stainless Steel