

제품 소개

- PC2H 는 폐기물 수거 차량 또는 지게차의 프런트 엔드 및 리어 엔드 빈 리프팅 시스템용으로 설계된 제품입니다.
- OIML 인증을 받았으며 폐기물 수집을 위한 이상적인 로드셀 입니다.
- 완전 용접 구조로 밀봉된 Stainless Steel 구조로 견고하고 내구성 있는 로드셀 입니다.
- 빈 리프트형 로드셀 (PC3H, PC5H, PC6H) 과 호환이 가능합니다.

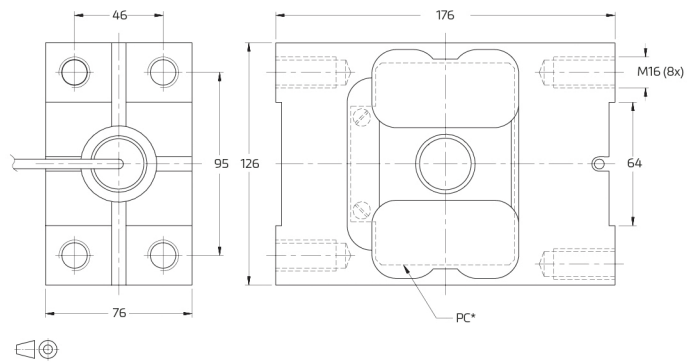
특징 Feature

- Stainless Steel 구조
- EN 60 529에 따른 보호 : IP68(up to 2m 물 깊이) / 69K
- 밀폐된 구조 / 높은 정밀도
- 로드셀 케이블 : 폴리 우레탄 5m × 5,8mm

specifications

Maximum capacity (E <sub>max</sub> )	kg	2,000	
Accuracy class according to OIML R60	-	(GP)	C3
Maximum number of verification intervals (n <sub>LC</sub> )	-	n.a.	3,000
Minimum load cell verification interval (V <sub>min</sub> )	-	n.a.	E <sub>max</sub> / 10,000
Temperature effect on minimum dead load output (TC <sub>0</sub> )	%*RO/10°C	± 0.0400	± 0.0140
Temperature effect on sensitivity (TC <sub>90</sub> )	%*RO/10°C	± 0.0200	± 0.0100
Combined error	%*RO	± 0.0500	± 0.0200
Non-linearity	%*RO	± 0.0400	± 0.0166
Hysteresis	%*RO	± 0.0400	± 0.0166
Creep error (30 minutes) / DR	%*RO	± 0.0600	± 0.0166
Optional: Min. load cell verification interval (V <sub>min</sub> opt)	-	n.a.	E <sub>max</sub> / 20,000
Optional: Temp. effect on min. dead load output (TC <sub>0</sub> opt)	%*RO/10°C	n.a.	± 0.0070
Rated Output (RO)	mV/V	2 ± 5%	
Calibration in mV/V/Ω	%		
Zero balance	%*RO	± 5	
Excitation voltage	V	5...15	
Input resistance (R <sub>ic</sub> )	Ω	1,100 ± 50	
Output resistance (R <sub>out</sub> )	Ω	960 ± 50	
Insulation resistance (100 V DC)	MΩ	≥ 5,000	
Safe load limit (E <sub>lim</sub> )	%*E <sub>max</sub>	200	
Ultimate load	%*E <sub>max</sub>	300	
Safe side load	%*E <sub>max</sub>	100	
Maximum off centre loading effect	%*RO/mm	± 0.00002	
Maximum off centre distance at maximum capacity	mm	175	
Compensated temperature range	°C	-10...+40	
Operating temperature range	°C	-40...+80 (ATEX -40...+60)	
Load cell material	-	stainless steel 17-4 PH (1.4548)	
Sealing	-	complete hermetic sealing; cable entry sealed by glass to metal header	
Protection according EN 60 529	-	IP68 (up to 2m water depth) / IP69K	
Packet weight	kg	8.3	

product dimensions (mm)



Mounting bolts M16 B.8; torque 200 Nm. Torque value assumes oiled threads.  
PC\* - Protective cover available on request. 6mm thick, two sides.

wiring

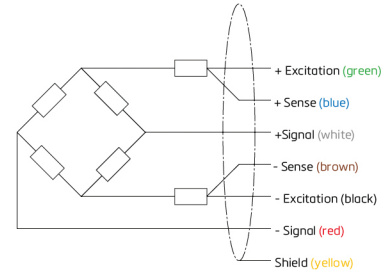
The load cell is provided with a shielded, 6 conductor cable (AWG 26).

Cable jacket: polyurethane

Cable length: 5 m

Cable diameter: 5.8 mm

The shield is floating or connected to the load cell body



RoHS  
compliant



The limits for Non-Linearity, Hysteresis, and TC<sub>90</sub> are typical values.  
The sum of Non-linearity, Hysteresis and TC<sub>90</sub> meets the requirements according to OIML R60 with p<sub>LC</sub>=0.7.