



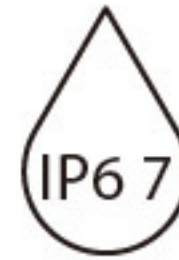
Since 1994, DIGITAL LEADER Axis Sensitive Co. Ltd
Industrial Explosion Proof Load Cell



MODEL : BK2-EXP

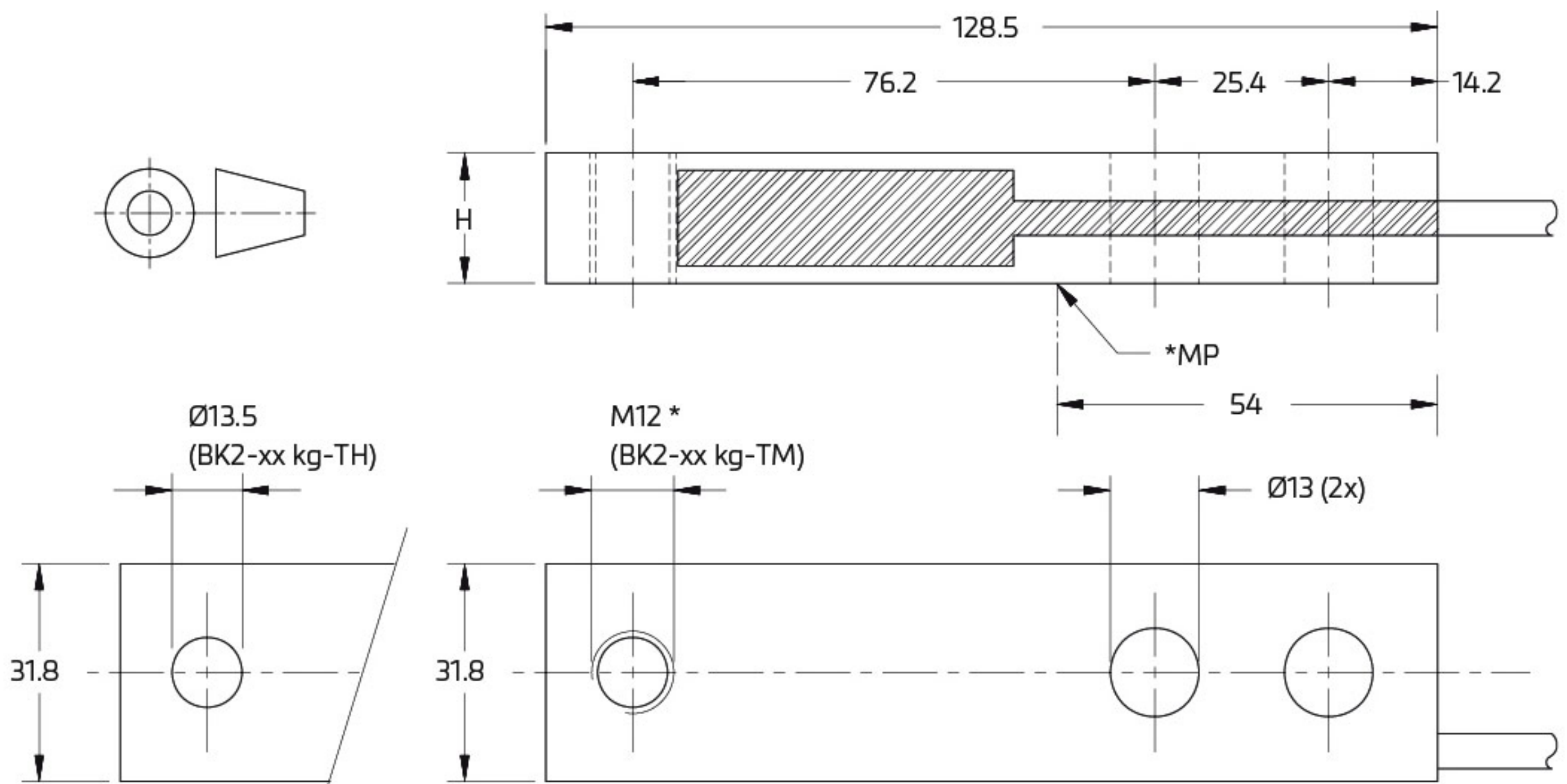


RoHS
compliant



제품 규격 [UNIT : mm]

Product Specification



*MP – Edge of mounting plate
 Unified thread 1/2-20 UNF is available (product code: BK2-xx kg-TU-Cx)

type	H	mounting bolts	torque**
BK2-200 kg	12.7	M12 8.8	90 Nm
BK2-500 kg	15.9	M12 8.8	90 Nm
BK2-1000 kg	19.1	M12 8.8	90 Nm
BK2-2000 kg	25.4	M12 10.9	120 Nm

**Torque values assume oiled threads.

The load cell is provided with a shielded, 4 conductor cable (AWG 24).

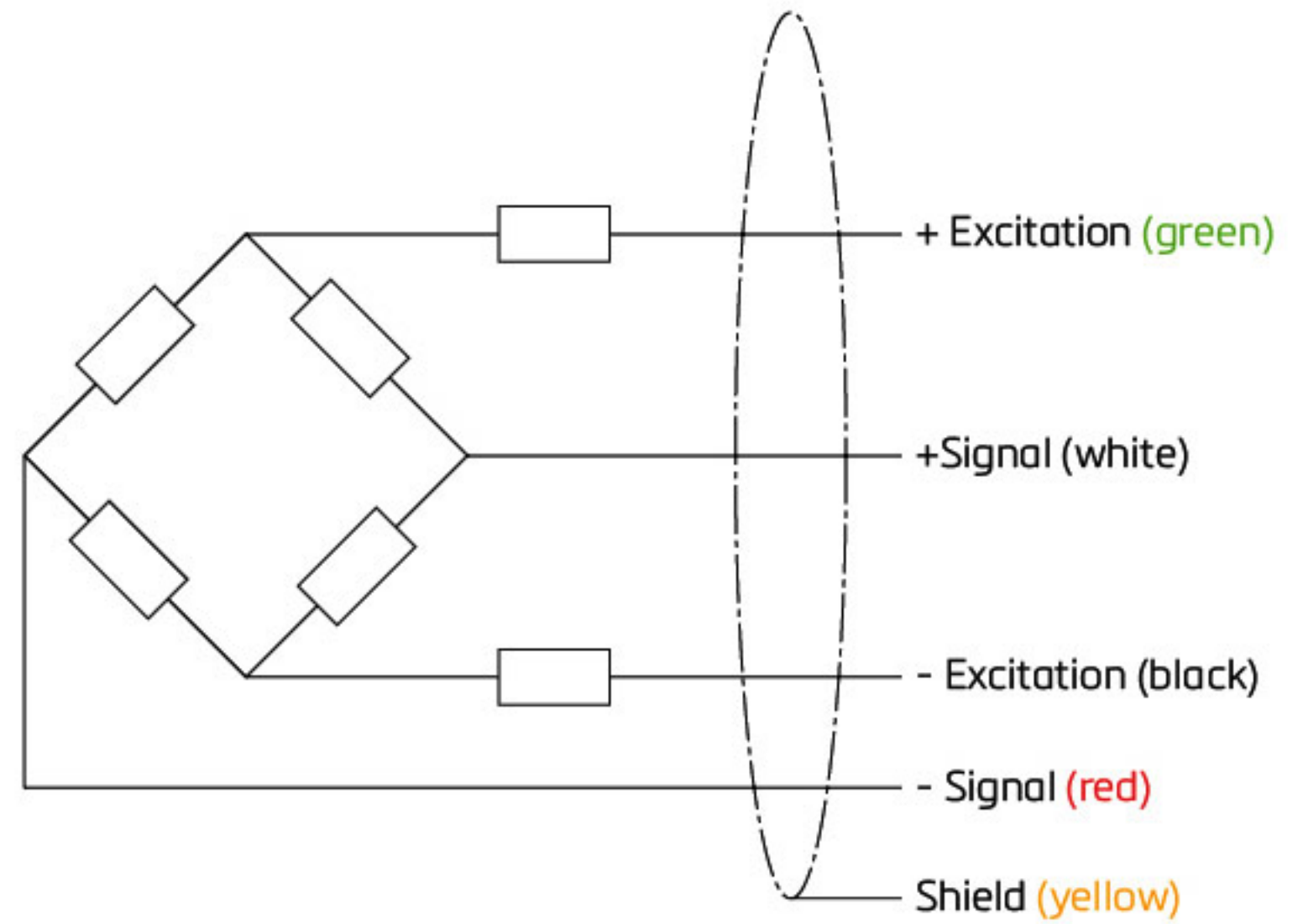
Cable jacket: polyurethane

Cable length: 3 m

Cable diameter: 5 mm

The shield is floating

(On request the shield can be connected to the load cell body)



- ▶ BK2는 저상형 계량기 또는 공간이 제한된 사업용 및 의료 계량기 용도로 설계
- ▶ 빔 로드셀은 가혹한 산업 현장에 맞게 설계되었으며 OIML, NTEP 인증을 받아 높은 정확도를 제공
- ▶ 식품 및 음료 분야의 계량기에 적합하며 고정밀 벤치 스케일에 적합
- ▶ 저상형 플랫폼 / 산업용 / 의료기기용 등

Maximum capacity (E_{max})	kg	200 / 500 / 1,000 / 2,000	500 / 1,000 / 2,000
Accuracy class according to OIML R60		(GP)	C3
Maximum number of verification intervals (n_{max})		n.a.	3,000
Minimum load cell verification interval (v_{min})		n.a.	$E_{max} / 10,000$
Temperature effect on minimum dead load output (TC_0)	%*RO/10°C	± 0.0400	± 0.0140
Temperature effect on sensitivity (TC_{RO})	%*RO/10°C	± 0.0200	± 0.0100
Combined error	%*RO	± 0.0500	± 0.0200
Non-linearity	%*RO	± 0.0400	± 0.0166
Hysteresis	%*RO	± 0.0400	± 0.0166
Creep error (30 minutes) / DR	%*RO	± 0.0600	± 0.0166
Rated Output (RO)	mV/V	2 ± 0.1%	
Calibration in mV/V/Ω (A...I classified)	%	± 0.05 (± 0.005)	
Zero balance	%*RO	± 5	
Excitation voltage	V	5...15	
Input resistance (R_{LC})	Ω	1,100 ± 50	
Output resistance (R_{out})	Ω	1,000 ± 2	
Insulation resistance (100 V DC)	MΩ	≥ 5,000	
Safe load limit (E_{lim})	%*Emax	200	
Ultimate load	%*Emax	300	
Safe side load	%*Emax	100	
Compensated temperature range	°C	-10...+40	
Operating temperature range	°C	-20...+65 (ATEX -20...+60)	
Load cell material		stainless steel 17-4 PH (1.4548)	
Sealing		potted	
Protection according EN 60 529		IP67	
Packet weight	kg	0.67 (200kg), 0.74 (500kg), 0.82 (1,000kg), 0.99 (2,000kg)	

The limits for Non-Linearity, Hysteresis, and TCRO are typical values. The sum of Non-linearity, Hysteresis and TCRO meets the requirements according to OIML R60 with pLC=0.7.

- › Stainless Steel 구조 / 포팅으로 환경 친화적 밀봉
- › 낮은 구조 / 높은 정밀도
- › EN 60 529에 따른 보호 : IP 67
- › 로드셀 케이블 : 폴리 우레탄 3m X 5mm