

제품 소개

- SB2는 철강 가공 시스템에서 사용토록 특수 용도로 설계된 전단 빔 로드셀입니다.
- 다른 모델에 비해 견고하며 대용량 계량 시스템, 코일 계량, 플랫폼 저울에 적합합니다.
- 연금술 씰링 및 내구성 페인트 코팅은 열악한 환경에서 사용하는데 적합합니다.

특징 Feature

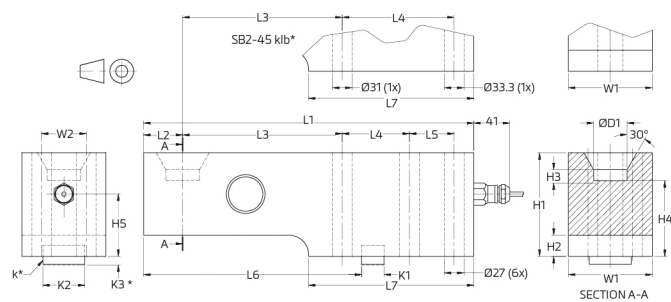
- 공구강 재질 / 대용량 20.4 / 45.4 ton
- EN 60 529에 따른 보호 : IP68(up to 2m 물 깊이) / 69K
- 로드셀 케이블 : 폴리 우레탄 9.1m × 7.6mm

specifications

Maximum capacity (E _{max})	lb	45,000 / 100,000		
Metric equivalents (1 lb=0.45359 kg)	t	20.4 / 45.4		
Accuracy class according to OIML R60		GP	C1	C3
Maximum number of verification intervals (n _{max})		n.a.	1,000	3,000
Minimum load cell verification interval (V _{min})		n.a.	E _{max} / 5,000	E _{max} / 15,000
Temperature effect on minimum dead load output (TC ₀)	%RO/10°C	± 0.0400	± 0.0275	± 0.0122
Temperature effect on sensitivity (TC _{RO})	%RO/10°C	± 0.0200	± 0.0160	± 0.0100
Combined error	%RO	± 0.0500	± 0.0300	± 0.0200
Non-linearity	%RO	± 0.0400	± 0.0300	± 0.0166
Hysteresis	%RO	± 0.0400	± 0.0300	± 0.0166
Creep error (30 minutes) / DR	%RO	± 0.0600	± 0.0490	± 0.0166
Rated Output (RO)	mV/V	2 ± 0.1%		
Calibration in mV/V/Ω (A...I classified)	%	± 0.05 (± 0.005)		
Zero balance	%RO	± 5		
Excitation voltage	V	5...15		
Input resistance (R _{ic})	Ω	385 ± 20		
Output resistance (R _{out})	Ω	351 ± 1		
Insulation resistance (100 V DC)	MΩ	≥ 5,000		
Safe load limit (E _{lim})	%E _{max}	200		
Ultimate load	%E _{max}	300		
Safe side load	%E _{max}	100		
Compensated temperature range	°C	-10...+40		
Operating temperature range	°C	-40...+80 (ATEX -40...+60)		
Load cell material		tool steel; painted		
Sealing		cable entry hermetic sealing by glass to metal header		
Protection according EN 60 529		IP68 (up to 2 m water depth) / IP69K		
Packet weight	kg	11.8 (45klb), 36.8 (100klb)		

The limits for Non-Linearity, Hysteresis, and TC_{RO} are typical values. The sum of Non-linearity, Hysteresis and TC_{RO} meets the requirements according to OIML R60 with p_{LC}=0.7.

product dimensions (mm)



Type	L1	L2	L3	L4	L5	L6	L7	H1	H2	H3	H4	H5	W1	W2	D1	K1	K2	K3*	Mount bolts	Torque*
SB2-45 klb								159	95	27	73	61								1500
SB2-45 klb-M	318	38	159	89	-	-		148	82	12	58	47	70	-	38.1	-	-	-	M30 8.8	
SB2-100 klb	416	48	197	92	54	276	210	143	41	14	111	92	95	54	50.8	25.4	47.6	10	M24 8.8	750 Nm

Torque* - values assume oiled threads.
 K3* - depth of key slot
 SB2-45klb* - Only two holes for the 45lbs version
 k* -Key

wiring

The load cell is provided with a shielded, 4 conductor cable (AWG 20).

Cable jacket polyurethane

Cable length: 9.1 m for 45 klb, 10.7 m for 100 klb

Cable diameter: 7.6 mm

The shield is floating

(On request the shield can be connected to the load cell body)

