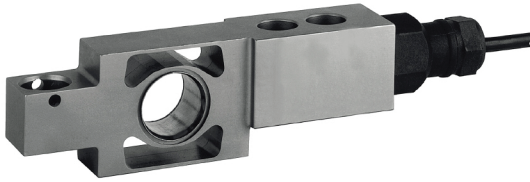


제품 소개

- SB6 은 20kg~204kg 까지의 고정밀 계량 어플리케이션을 위한 로드셀 입니다.
- Stainless Steel 구조와 완벽한 밀폐 봉인된 독특한 벤딩 빔 로드셀로 최적의 계량 성능 보장 최적의 계량 성능을 보장합니다.



특징 Feature

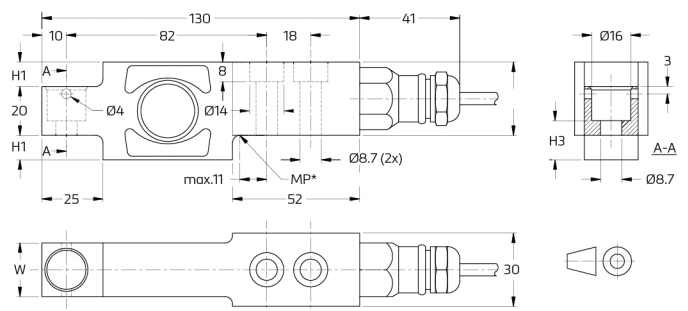
- Stainless Steel 구조 / 밀폐 봉인 구조
- 낮은 용량 / 높은 정밀도
- EN 60 529에 따른 보호 : IP68(up to 2m 물 깊이) / 69K
- 로드셀 케이블 : 폴리 우레탄 3m x 5mm

specifications

| | | | | | | |
|--|--------------------|--|--------------------------|---------------------------------|---------------------------------|----------|
| | kN | 0.2 / 0.5 / 1 / 2 | | 0.5 / 1 / 2 | 0.2 / 0.5 / 1 | |
| Maximum capacity (E _{max}) | kg | 20 / 50 / 100 / 200 | | 50 / 100 / 200 | 20 / 50 / 100 | |
| Metric equivalents (1N=0.10197 kg) | kg | 20 / 20.4 / 50 / 51 / 100 / 102 / 200 / 204 | | 50 / 51 / 100 / 102 / 200 / 204 | 20 / 20.4 / 50 / 51 / 100 / 102 | |
| Accuracy class according to OIML R60 | | (GP) | C1 | C3 | C3 M16 | C4 |
| Maximum number of verification intervals (n _{max}) | | n.a. | 1,000 | 3,000 | 3,000 | 4,000 |
| Minimum load cell verification interval (v _{min}) | | n.a. | E _{max} / 5,100 | E _{max} / 10,200 | | |
| Temperature effect on minimum dead load output (TC _d) | %*RO/10°C | ± 0.0400 | ± 0.0275 | ± 0.0137 | | |
| Temperature effect on sensitivity (TC _{RO}) | %*RO/10°C | ± 0.0200 | ± 0.0160 | ± 0.0100 | ± 0.0080 | |
| Combined error | %*RO | ± 0.0500 | ± 0.0300 | ± 0.0200 | ± 0.0180 | |
| Non-linearity | %*RO | ± 0.0400 | ± 0.0300 | ± 0.0166 | ± 0.0125 | |
| Hysteresis | %*RO | ± 0.0400 | ± 0.0300 | ± 0.0166 | ± 0.0083 | ± 0.0125 |
| Creep error (30 minutes) / DR | %*RO | ± 0.0600 | ± 0.0490 | ± 0.0166 | ± 0.0083 | ± 0.0125 |
| Option - Min. load cell verification interval (v _{min} opt) | | n.a. | n.a. | E _{max} / 20,400 | | |
| Option - Temp. effect on min. dead load output (TC _d opt) | %*RO/10°C | n.a. | n.a. | ± 0.0069 | | |
| Rated Output (RO) | mV/V | 2 ± 0.1% | | | | |
| Calibration in mV/V/Ω (A...I classified) | % | ± 0.05 (± 0.005) | | | | |
| Zero balance | %*RO | ± 5 | | | | |
| Excitation voltage | V | 5..15 | | | | |
| Input resistance (R _{ic}) | Ω | 1,100 ± 50 | | | | |
| Output resistance (R _{out}) | Ω | 1,000 ± 2 | | | | |
| Insulation resistance (100 V DC) | MΩ | ≥ 5,000 | | | | |
| Safe load limit (E _{lim}) | %*E _{max} | 200 | | | | |
| Ultimate load | %*E _{max} | 300 | | | | |
| Safe side load | %*E _{max} | 100 | | | | |
| Compensated temperature range | °C | -10...+40 | | | | |
| Operating temperature range | °C | -40...+80 (ATEX -40...+60) | | | | |
| Load cell material | | stainless steel 17-4 PH (1.4548) | | | | |
| Sealing | | complete hermetic sealing; cable entry sealed by glass to metal header | | | | |
| Protection according EN 60 529 | | IP68 (up to 2 m water depth) / IP69K | | | | |
| Packet weight | kg | 1.0 | | | | |

The limits for Non-Linearity, Hysteresis, and TCRO are typical values.
The sum of Non-linearity, Hysteresis and TCRO meets the requirements according to OIML R60 with pLC=0.7.

product dimensions (mm)



| Capacity | H1 | H2 | H3 | W |
|-------------|------|------|------|----|
| 20kg..0.5kN | 12.8 | 32.8 | 18.8 | 19 |
| 100kg..2kN | 10 | 30 | 16 | 22 |

Mounting bolts M8 8.8; torque: 25 Nm. Torque value assumes oiled threads.
MP* - Edge of mounting plate

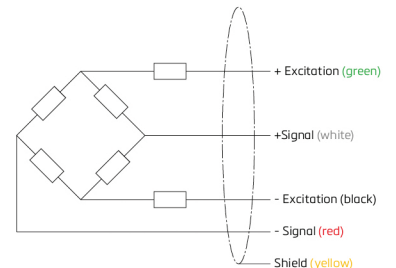
wiring

The load cell is provided with a shielded, 4 conductor cable (AWG 24).

Cable jacket: polyurethane

Cable length: 3 m
Cable diameter: 5 mm

The shield is floating
(On request the shield can be connected to the load cell body)



RoHS compliant

