

**MODEL : UB1-EXP**

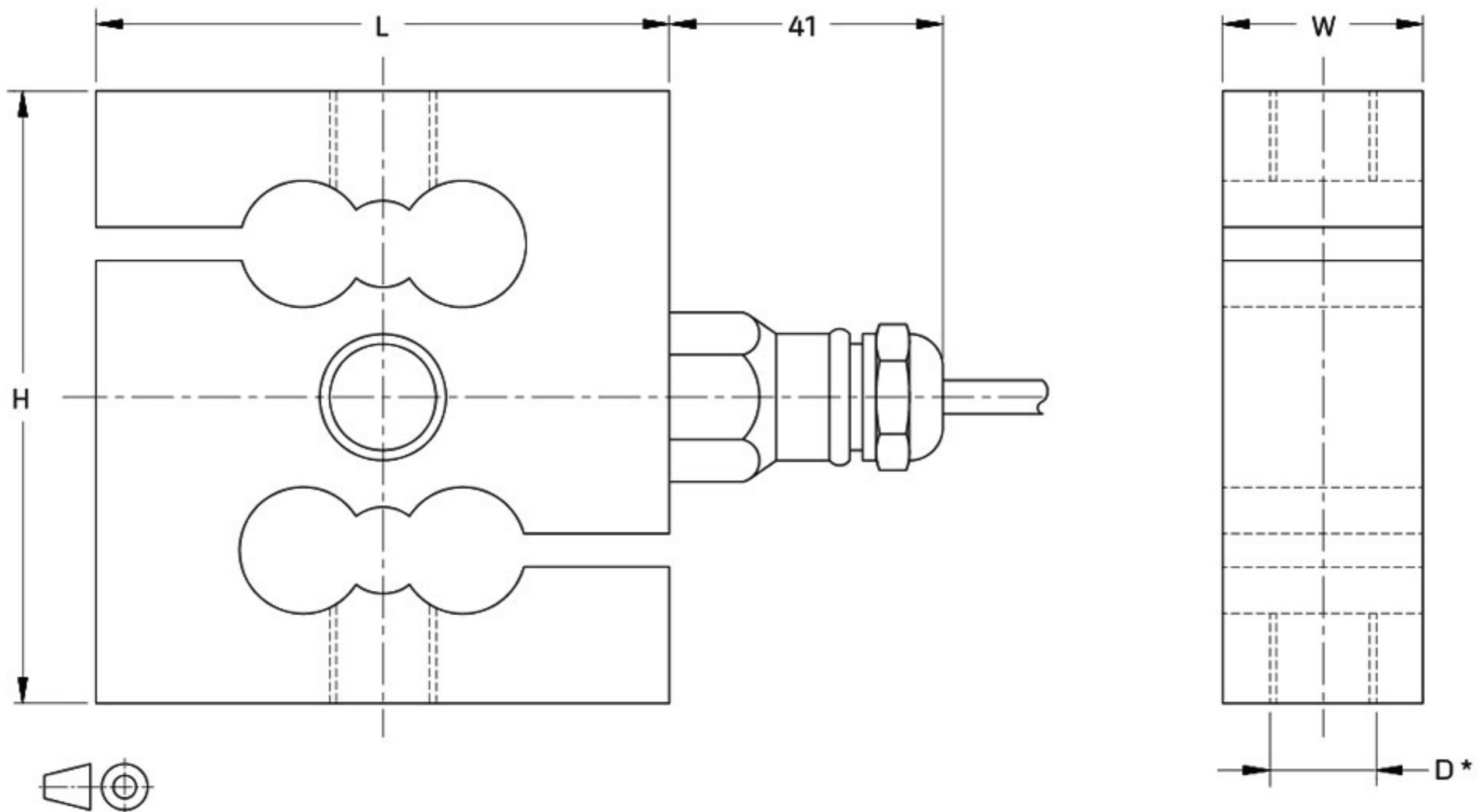


RoHS compliant



**제품 규격 [UNIT : mm]**

**Product Specification**



Type	H	L	W	Thread D
UB1-10 kN / UB1-20 kN	92	86	30	M16
UB1-50 kN	136	143	43	M24 x 2
UB1-100 kN	120	120	60	M24 x 3

\* Unified thread 5/8-18 UNF (10...20 kN) and 1-12 UNF (50 kN) is available.

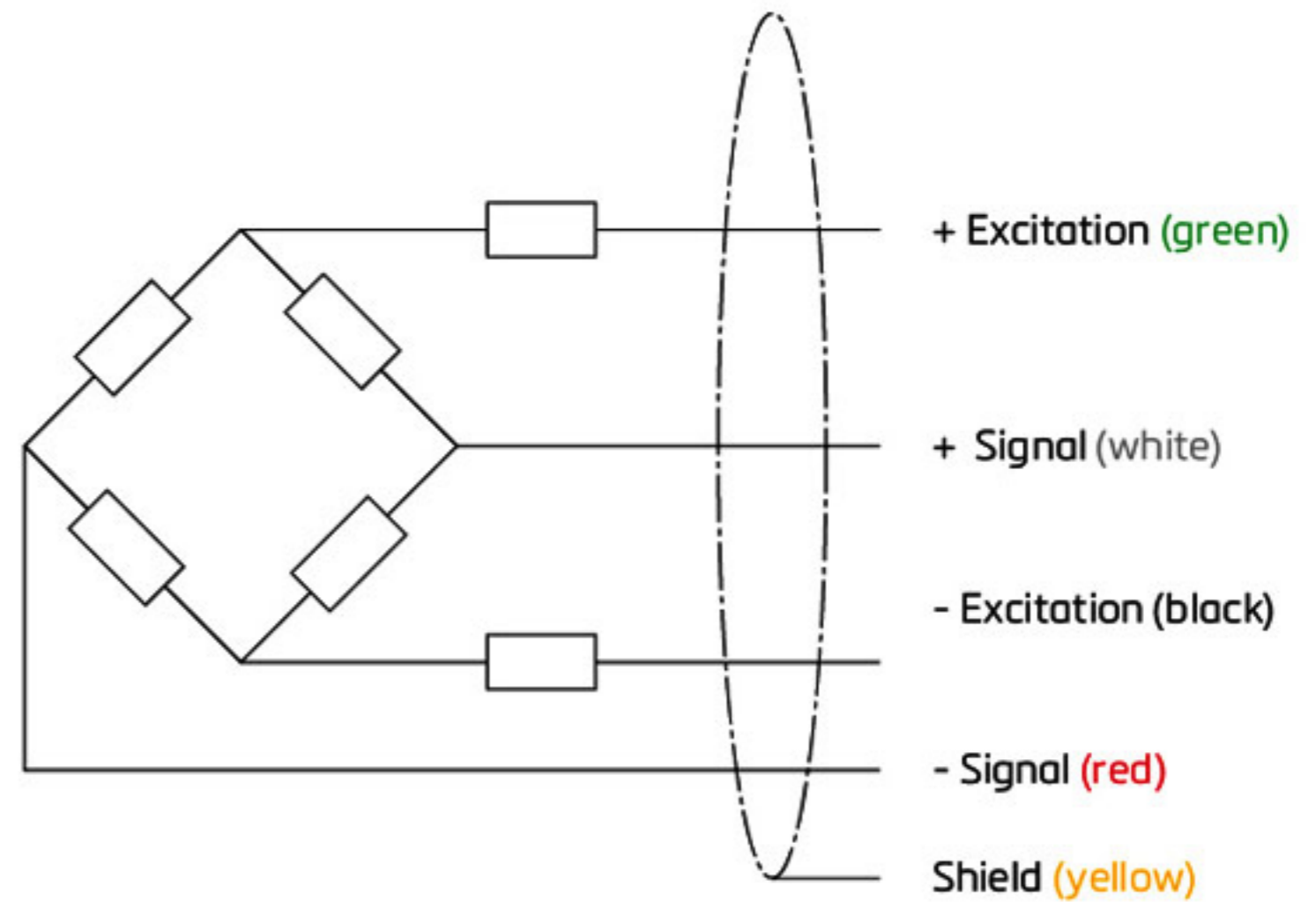
The load cell is provided with a shielded, 4 conductor cable (AWG 24).

Cable jacket: polyurethane

Cable length: 6 m

Cable diameter: 5 mm

The shield is floating  
(On request the shield can be connected to the load cell body)



- ▶ UB1 은 1020kg~10197kg 까지의 다양한 용량의 제품
- ▶ Stainless Steel로 제작 되었으며 열악한 환경에서 이상적
- ▶ 견고하며 고용량 계량 시스템에 적합합니다.
- ▶ OIML과 NTEP 승인을 받은 제품

Maximum capacity ( $E_{max}$ )	kN	10 / 20 / 50 / 100	10 / 20 / 50	100	
Metric equivalents (1 N=0.10197 kg)	kg	1,020 / 2,039 / 5,099 / 10,197	1,020 / 2,039 / 5,099	10,197	
Minimum capacity ( $E_{min}$ )	$\% * E_{max}$	0			
Accuracy class according to OIML R60		(GP)	C1	C3	G3*
Maximum number of verification intervals ( $n_{max}$ )		n.a.	1,000	3,000	3,000
Minimum load cell verification interval ( $v_{min}$ )		n.a.	$E_{max} / 5,700$	$E_{max} / 5,700$	$E_{max} / 5,700$



Temperature effect on minimum dead load output (TC <sub>0</sub> )	%*RO/10°C	± 0.0400	± 0.0280	± 0.0246	± 0.0246
Temperature effect on sensitivity (TC <sub>RO</sub> )	%*RO/10°C	± 0.0200	± 0.0160	± 0.0100	± 0.0100
Combined error	%*RO	± 0.0500	± 0.0300	± 0.0200	± 0.0200
Non-linearity	%*RO	± 0.0400	± 0.0300	± 0.0166	± 0.0166
Hysteresis	%*RO	± 0.0400	± 0.0300	± 0.0166	± 0.0166
Creep error (30 minutes) / DR	%*RO	± 0.0600	± 0.0490	± 0.0166	± 0.0166
Rated Output (RO)	mV/V	2 ± 0.1%			
Calibration in mV/V/Ω (A...I classified)	%	± 0.05 (± 0.005)			
Zero balance	%*RO	± 5			
Excitation voltage	V	5...15			
Input resistance (R <sub>LC</sub> )	Ω	1,100 ± 50			
Output resistance (R <sub>out</sub> )	Ω	1,000 ± 2			
Insulation resistance (100 V DC)	MΩ	≥ 5,000			
Safe load limit (E <sub>lim</sub> )	%*E <sub>max</sub>	200			
Ultimate load	%*E <sub>max</sub>	300			
Compensated temperature range	°C	-10...+40			
Operating temperature range	°C	-40...+80 (ATEX -40...+60)			
Load cell material		stainless steel 17-4 PH (1.4548)			
Sealing		complete hermetic sealing; cable entry sealed by glass to metal header			
Protection according EN 60 529		IP68 (up to 2 m water depth) / IP69K			
Packet weight	kg	1.8 (10kN, 20kN), 5.9 (50kN), 8.4 (100kN)			

\* corresponds to C3 quality, currently no OIML R60 Test Certificate available  
The limits for Non-Linearity, Hysteresis, and TC<sub>RO</sub> are typical values.  
The sum of Non-linearity, Hysteresis and TC<sub>RO</sub> meets the requirements according to OIML R60 with p<sub>LC</sub>=0.7.

- **Stainless Steel 구조 / 밀폐 봉인 구조**
- **인장, 압축 겸용 / 높은 정밀도 / 다양한 용량**
- **EN 60 529에 따른 보호 : IP 68(up to 2m 물 깊이) / 69k**
- **로드셀 케이블 : 폴리 우레탄 6m X 5mm**