



Since 1994, DIGITAL LEADER Axis Sensitive Co. Ltd
Industrial Explosion Proof Load Cell



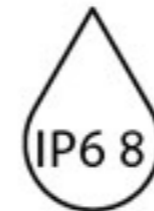
MODEL : UB6-EXP



www.axis123.com

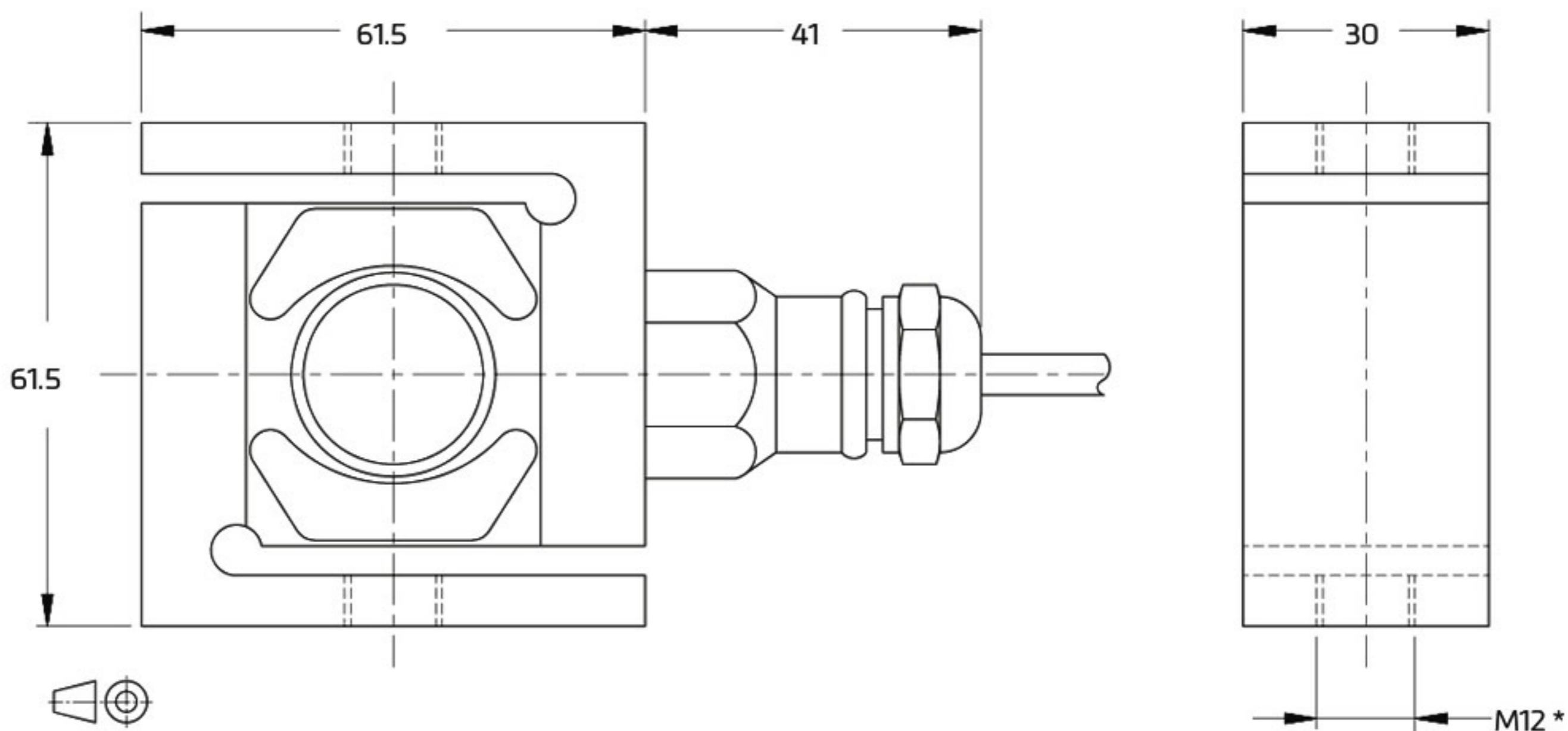


RoHS
compliant



제품 규격 [UNIT : mm]

Product Specification



*Unified thread 1/2-20 UNF is available

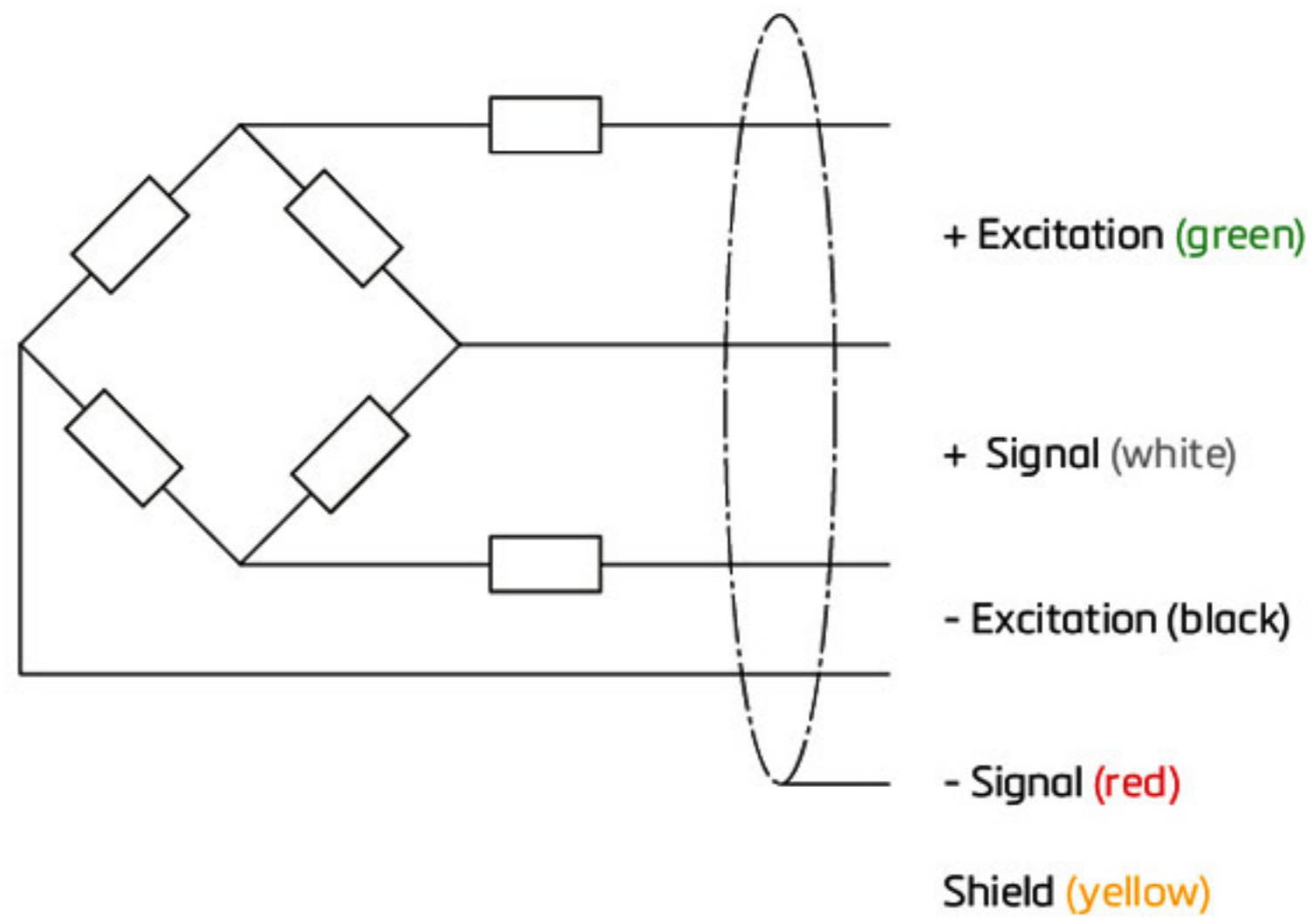
The load cell is provided with a shielded, 4 conductor cable (AWG 24).

Cable jacket: polyurethane

Cable length: 6 m

Cable diameter: 5 mm

The shield is floating
(On request the shield can be connected to the load cell body)



- ▶ UB6은 75kg~510kg 까지의 다양한 용량의 제품
- ▶ Stainless Steel로 완전 용접 구조로 견고하며 공간 제약형 고정밀시스템
- ▶ OIML과 NTEP 승인을 받은 제품

| | | | | |
|---|---------------------|----------------------|-----------------|------------------|
| Maximum capacity (E_{max}) | kN | 0.7 / 1 / 2 / 5 | | |
| Metric equivalents (1 N=0.10197 kg) | kg | 75 / 102 / 204 / 510 | | |
| Minimum capacity (E_{min}) | $\%*E_{max}$ | 0 | | |
| Accuracy class according to OIML R60 | | (GP) | C1 | C3 |
| Maximum number of verification intervals (n_{max}) | | n.a. | 1,000 | 3,000 |
| Minimum load cell verification interval (v_{min}) | | n.a. | $E_{max}/5,100$ | $E_{max}/10,200$ |
| Temperature effect on minimum dead load output (TC_0) | $\%*RO/10^{\circ}C$ | ± 0.0400 | ± 0.0275 | ± 0.0137 |
| Temperature effect on sensitivity (TC_{RO}) | $\%*RO/10^{\circ}C$ | ± 0.0200 | ± 0.0160 | ± 0.0100 |
| Combined error | $\%*RO$ | ± 0.0500 | ± 0.0300 | ± 0.0200 |
| Non-linearity | $\%*RO$ | ± 0.0400 | ± 0.0300 | ± 0.0166 |
| Hysteresis | $\%*RO$ | ± 0.0400 | ± 0.0300 | ± 0.0166 |

| | | | | |
|---|--------------|--|----------|--------------------|
| Creep error (30 minutes) / DR | %*RO | ± 0.0600 | ± 0.0490 | ± 0.0166 |
| Option: Min. load cell verification interval (v_{min} opt) | | n.a. | n.a. | $E_{max} / 20,400$ |
| Option: Temp. effect on min. dead load output (TC_0 opt) | %*RO/10°C | n.a. | n.a. | ± 0.0069 |
| Rated Output (RO) | mV/V | 2 ± 0.1% | | |
| Calibration in mV/V/Ω (A...I classified) | % | ± 0.05 (± 0.005) | | |
| Zero balance | %*RO | ± 5 | | |
| Excitation voltage | V | 5...15 | | |
| Input resistance (R_{LC}) | Ω | 1,100 ± 50 | | |
| Output resistance (R_{out}) | Ω | 1,000 ± 2 | | |
| Insulation resistance (100 V DC) | MΩ | ≥ 5,000 | | |
| Safe load limit (E_{lim}) | %* E_{max} | 200 | | |
| Ultimate load | %* E_{max} | 300 | | |
| Compensated temperature range | °C | -10...+40 | | |
| Operating temperature range | °C | -40...+80 (ATEX -40...+60) | | |
| Load cell material | | stainless steel 17-4 PH (1.4548) | | |
| Sealing | | complete hermetic sealing; cable entry sealed by glass to metal header | | |
| Protection according EN 60 529 | | IP68 (up to 2 m water depth) / IP69K | | |
| Packet weight | kg | 1.0 (1kN, 2 kN), 1.1 (5kN) | | |

The limits for Non-Linearity, Hysteresis, and TC_{RO} are typical values.

The sum of Non-linearity, Hysteresis and TC_{RO} meets the requirements according to OIML R60 with $p_{LC}=0.7$.

- ▶ **Stainless Steel 구조 / 밀폐 봉인 구조**
- ▶ **인장, 압축 겸용 / 높은 정밀도 / 저용량 범위**
- ▶ **EN 60 529에 따른 보호 : IP 68(up to 2m 물 깊이) / IP69k**
- ▶ **로드셀 케이블 : 폴리 우레탄 6m X 5mm**