



제품 소개

- UB6 인장 및 압축 로드셀은 75kg ~ 510kg 까지의 다양한 용량의 제품이 있습니다.
- Stainless Steel로 완전 용접된 구조로 견고하며 공간 제약형 고정밀 시스템에 적용됩니다.
- 제품은 OIML과 NTEP 승인을 받은 제품입니다.

특징 Feature

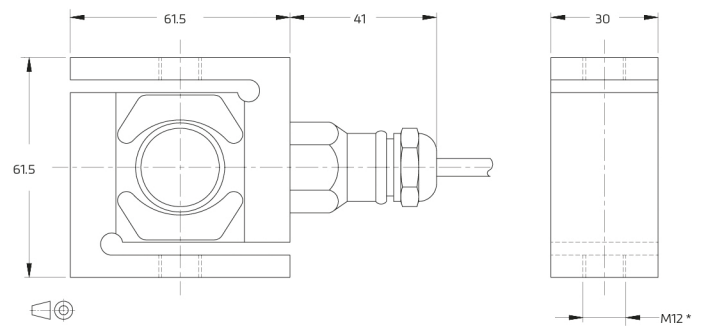
- Stainless Steel 구조 / 밀폐 봉인 구조
- 인장, 압축 겸용 / 높은 정밀도 / 저용량 범위
- EN 60 529에 따른 보호 : IP68(up to 2m 물 깊이) / IP69K
- 로드셀 케이블 : 폴리 우레탄 6m × 5mm

specifications

Maximum capacity (E _{max})	kN	0.7 / 1 / 2 / 5		
Metric equivalents (1 N=0.10197 kg)	kg	75 / 102 / 204 / 510		
Minimum capacity (E _{min})	%*E _{max}	0		
Accuracy class according to OIML R60	(GP)	C1	C3	
Maximum number of verification intervals (n _{max})		n.a.	1,000	3,000
Minimum load cell verification interval (v _{min})		n.a.	E _{max} /5,100	E _{max} /10,200
Temperature effect on minimum dead load output (TC ₀)	%*RO/10°C	± 0.0400	± 0.0275	± 0.0137
Temperature effect on sensitivity (TC _{RO})	%*RO/10°C	± 0.0200	± 0.0160	± 0.0100
Combined error	%*RO	± 0.0500	± 0.0300	± 0.0200
Non-linearity	%*RO	± 0.0400	± 0.0300	± 0.0166
Hysteresis	%*RO	± 0.0400	± 0.0300	± 0.0166
Creep error (30 minutes) / DR	%*RO	± 0.0600	± 0.0490	± 0.0166
Option: Min. load cell verification interval (v _{min opt})		n.a.	n.a.	E _{max} /20,400
Option: Temp. effect on min. dead load output (TC _{0 opt})	%*RO/10°C	n.a.	n.a.	± 0.0069
Rated Output (RO)	mV/V	2 ± 0.1%		
Calibration in mV/V/Ω (A..I classified)	%	± 0.05 (± 0.005)		
Zero balance	%*RO	± 5		
Excitation voltage	V	5...15		
Input resistance (R _{ic})	Ω	1,100 ± 50		
Output resistance (R _{out})	Ω	1,000 ± 2		
Insulation resistance (100 V DC)	MΩ	≥ 5,000		
Safe load limit (E _{lim})	%*E _{max}	200		
Ultimate load	%*E _{max}	300		
Compensated temperature range	°C	-10...+40		
Operating temperature range	°C	-40...+80 (ATEX -40...+60)		
Load cell material		stainless steel 17-4 PH (1.4548)		
Sealing		complete hermetic sealing; cable entry sealed by glass to metal header		
Protection according EN 60 529		IP68 (up to 2 m water depth) / IP69K		
Packet weight	kg	1.0 (1kN, 2 kN), 1.1 (5kN)		

The limits for Non-Linearity, Hysteresis, and TC_{RO} are typical values.
The sum of Non-linearity, Hysteresis and TC_{RO} meets the requirements according to OIML R60 with p_{LC}=0.7.

product dimensions (mm)



*Unified thread 1/2-20 UNF is available

wiring

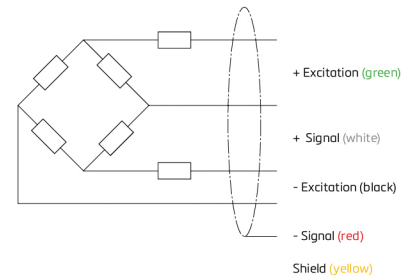
The load cell is provided with a shielded, 4 conductor cable (AWG 24).

Cable jacket: polyurethane

Cable length: 6 m

Cable diameter: 5 mm

The shield is floating (On request the shield can be connected to the load cell body)



RoHS compliant

