



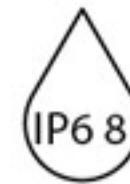
Since 1994, DIGITAL LEADER Axis Sensitive Co. Ltd  
**Industrial Explosion Proof Load Cell**



**MODEL : UXT-EXP**

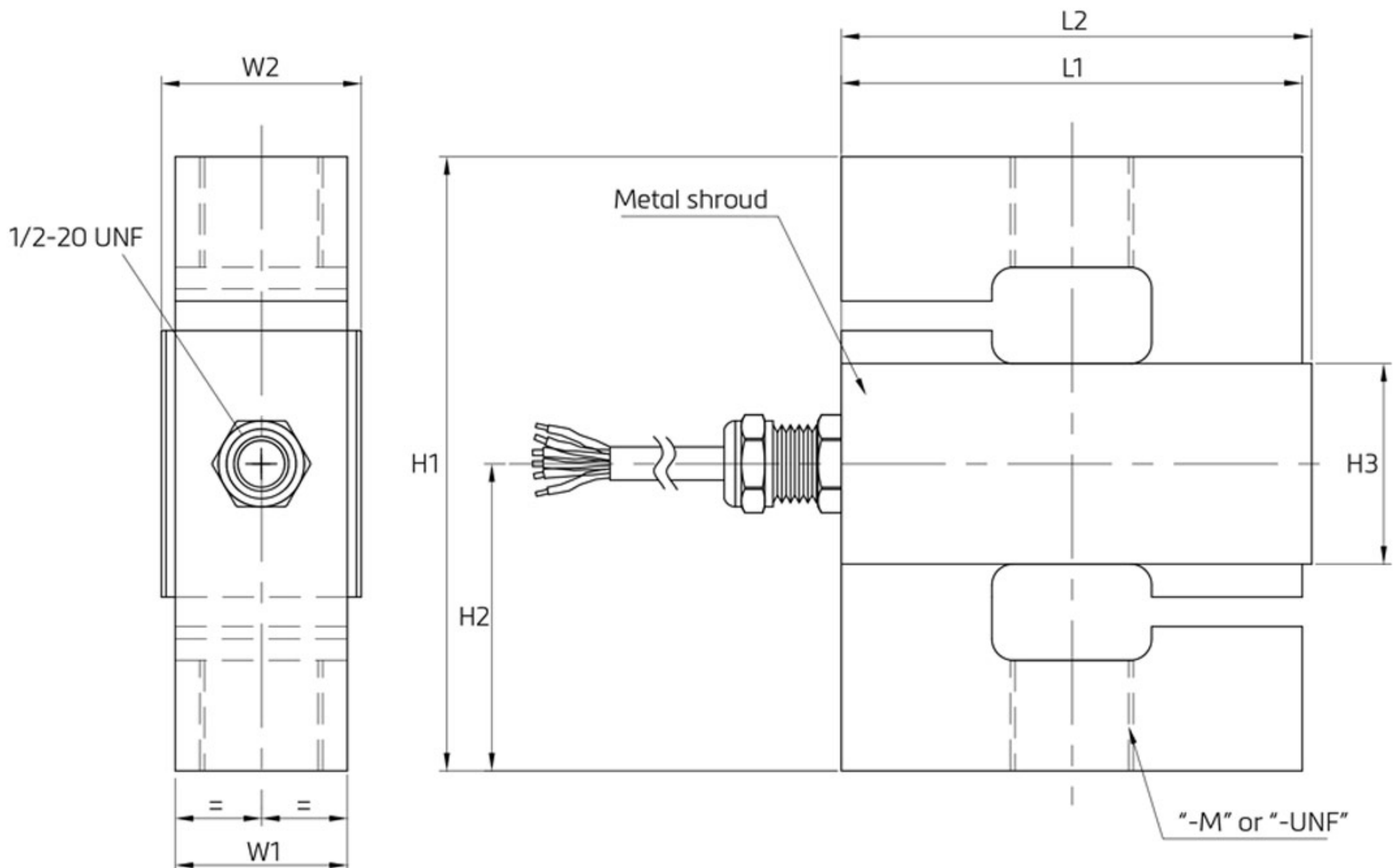


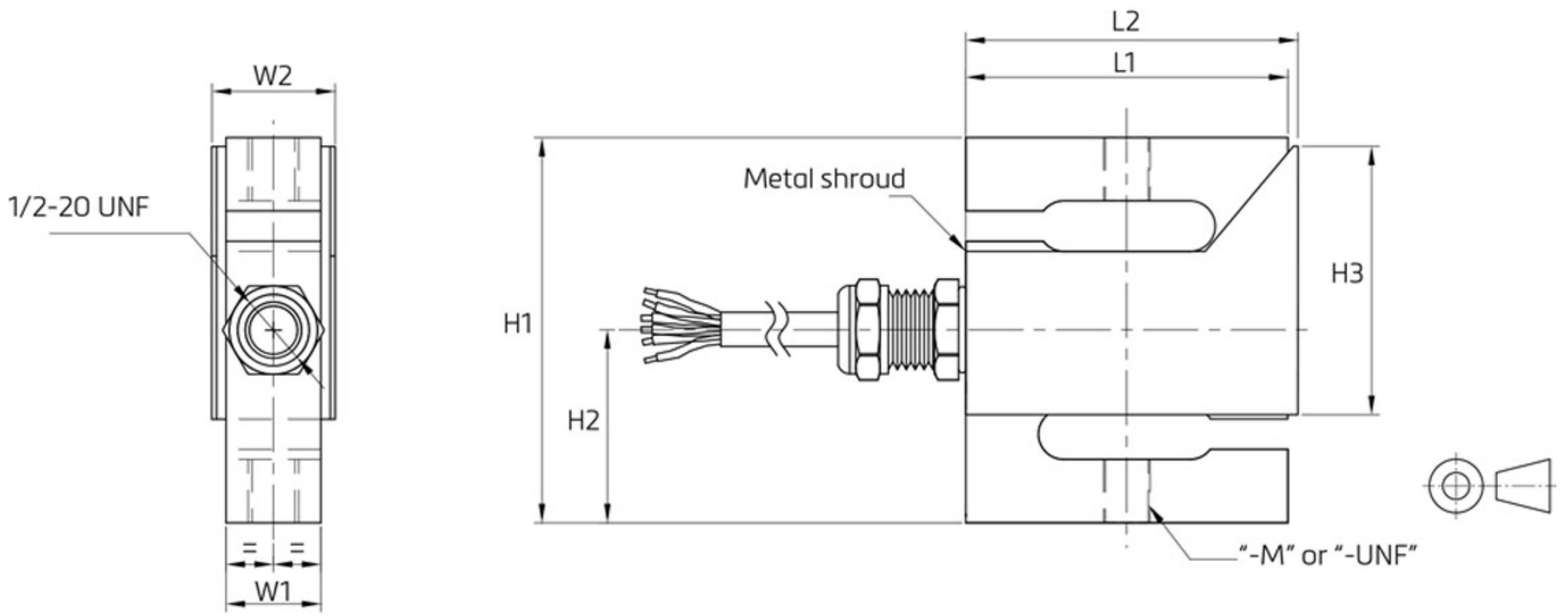
RoHS compliant



**제품 규격 [UNIT : mm]**

**Product Specification**





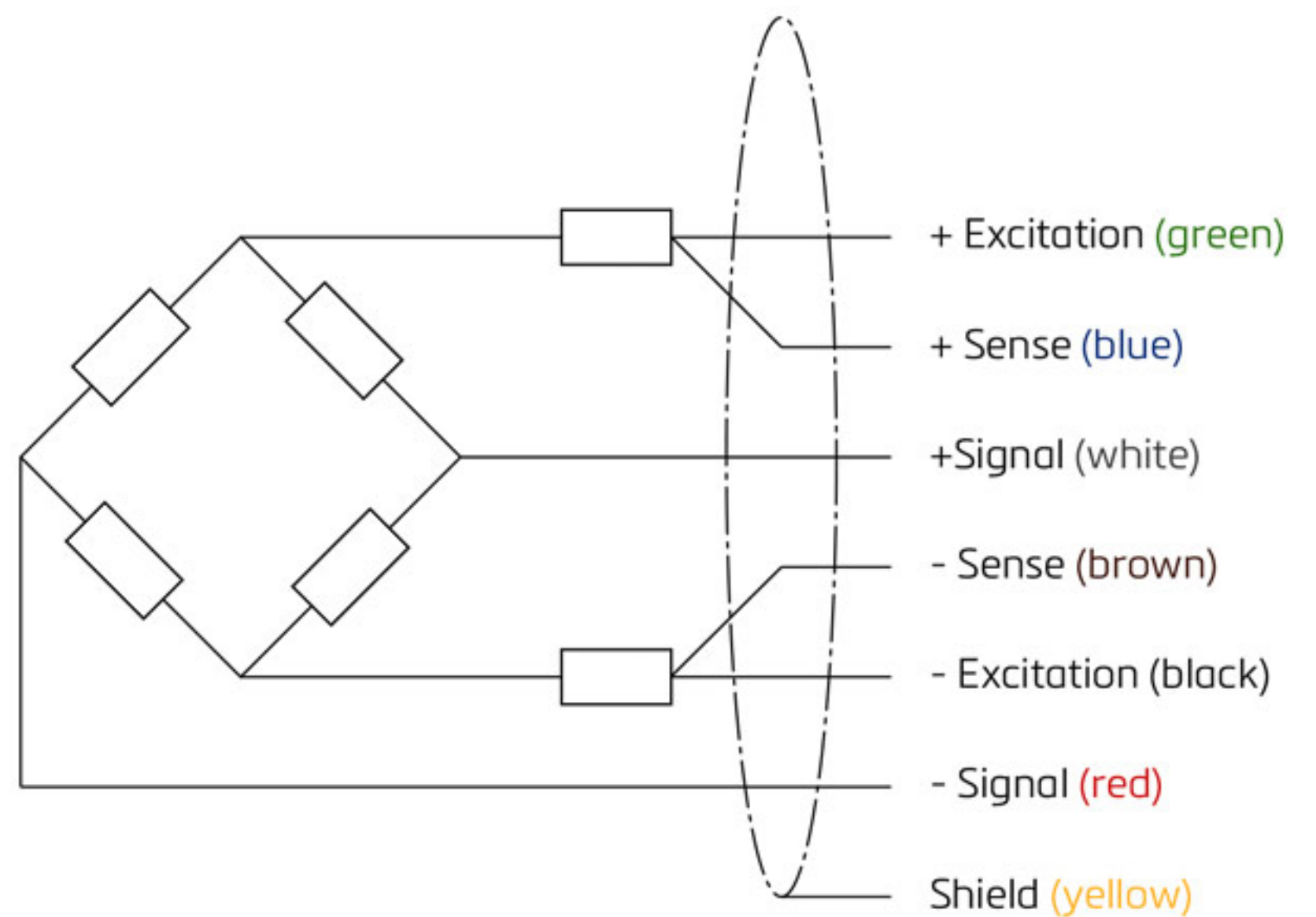
| Capacity (kg) | H1  | H2   | W1 | L1 | W2    | L2    | H3    | -M       | -UNF   |
|---------------|-----|------|----|----|-------|-------|-------|----------|--------|
| 50, 100       | 61  | 30.5 | 15 | 51 | 19.52 | 53.35 | 43.2  | M8x1.25  | 3/8-24 |
| 250, 500      | 61  | 30.5 | 21 | 51 | 25.52 | 53.35 | 43.5  | M12x1.75 | 1/2-20 |
| 1,000         | 61  | 30.5 | 28 | 51 | 32.52 | 53.35 | 27.6  | M12x1.75 | 1/2-20 |
| 2,000         | 100 | 50   | 28 | 75 | 32.52 | 77.76 | 32.4  | M20x1.5  | 3/4-16 |
| 5,000         | 100 | 50   | 34 | 75 | 38.52 | 77.76 | 36.0  | M20x1.5  | 3/4-16 |
| 7,500         | 140 | 70   | 40 | 87 | 44.52 | 89.76 | 37.56 | M24x2.0  | 1-14   |

The load cell is provided with a black 26AWG 6-conductor cable

Standard cable jacket: Polyurethane

Standard cable length: 6m

The shield is floating



## 제품 사양

## Specification

- ▶ 매달림 탱크 및 호퍼, 크레인 저울에 주로 적용
- ▶ 공정 계량 및 공정 자동화, 공정제어 목적의 범용 어플리케이션의 적용에 적합



|   |             |   |   |
|---|-------------|---|---|
| Maximum capacity ( $E_{max}$ )                            | kg          | 50/100/250/500/1,000/2,000/5,000/7,500            |   |
| Rated Output (RO)   | mV/V        | 3±0.25%   |   |
| Calibration in mV/V/W (A...I classified)                  | %RO         | ≤0.05 (≤0.005)                                    |   |
| Accuracy class according to OIML R60                      | -           | GP  | C3  |
| Maximum number of verification intervals ( $n_{max}$ )    | -           | n/a   | 3,000   |
| Minimum load cell verification interval ( $v_{min}$ )     | -           | n/a   | $E_{max}/10,000$<br>(Optional $E_{max}/24,000$ for 50-250kg models) |
| Non-linearity   | %RO         | ±0.0400   | ±0.0200   |
| Hysteresis  | %RO         | ±0.0400   | ±0.0200   |
| Combined error  | %RO         | ±0.0400   | ±0.0200   |
| Creep error (30 mins)                                     | %RO         | ±0.0600   | ±0.0166   |
| Temperature effect on minimum dead-load output ( $TC_0$ ) | %RO/10°C    | ±0.0400   | ±0.0116   |
| Temperature effect on sensitivity ( $TC_{RO}$ )           | %RO/10°C    | ±0.0200   | ±0.0100   |
| Excitation voltage  | V           | 5...15  |   |
| Zero balance  | %RO         | ±5  |   |
| Input resistance  | Ω           | 400±50  |   |
| Output resistance   | Ω           | 350±2   |   |
| Insulation resistance                                     | MΩ          | ≥5,000  |   |
| Compensated temperature range                             | °C          | -10...+40   |   |
| Operating temperature range                               | °C          | -20...+65   |   |
| Safe load limit   | % $E_{max}$ | 150   |   |
| Ultimate load   | % $E_{max}$ | 300   |   |
| Load cell material  | -           | Alloy steel (AISI 4140)                           |   |
| Sealing   | -           | Potted  |   |
| Protection according to DIN 40.050                        | -           | IP67  |   |
| Cable length and type                                     | -           | 6m, 6 cond. 26AWG black jacket polyurethane cable |   |

The limits for Non-Linearity, Hysteresis, and  $TC_{RO}$  are typical values. The sum of Non-linearity, Hysteresis and  $TC_{RO}$  meets the requirements according to OIML R60 with  $p_{LC}=0.7$

- › 50kg에서 7,500kg까지의 용량에 적용 가능
- › OIML C3인증 (Y=10,000)
- › 보호커버가 적용된 무전해 니켈 도금 합금강 본체
- › IP67보호등급의 포트 매립방식
- › 인장 및 압축방향 적용 가능 (양방향)
- › 다양한 나사산 옵션선택 가능 (mm, inch)