



Since 1994, DIGITAL LEADER Axis Sensitive Co. Ltd
Industrial Explosion Proof Load Cell

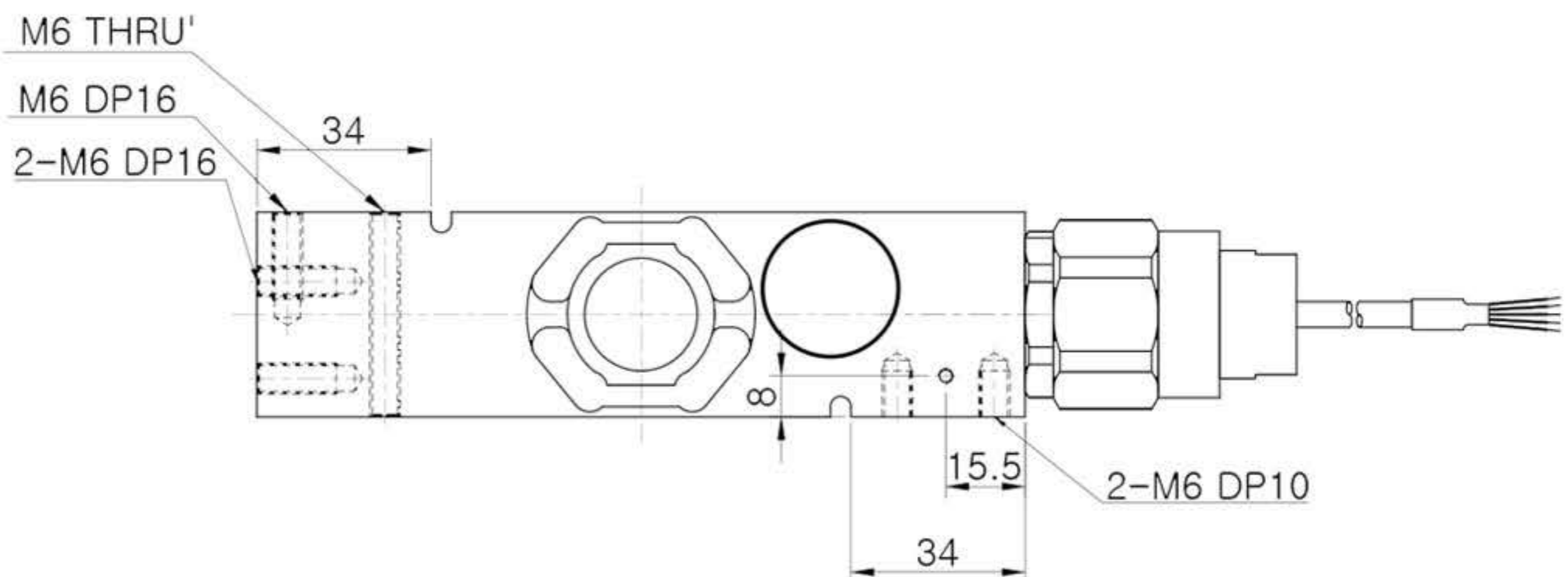
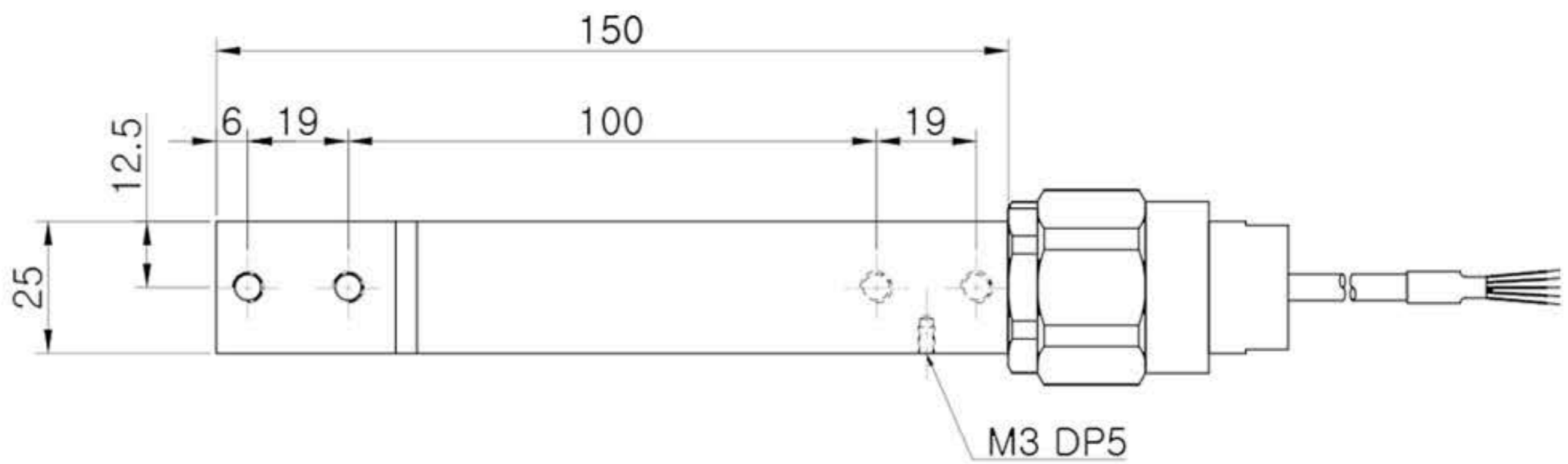


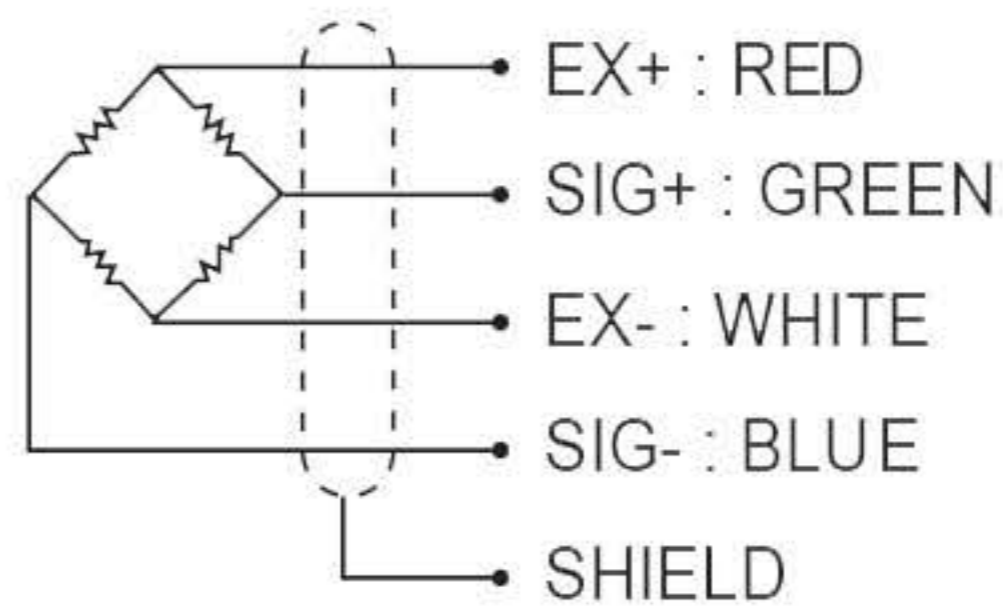
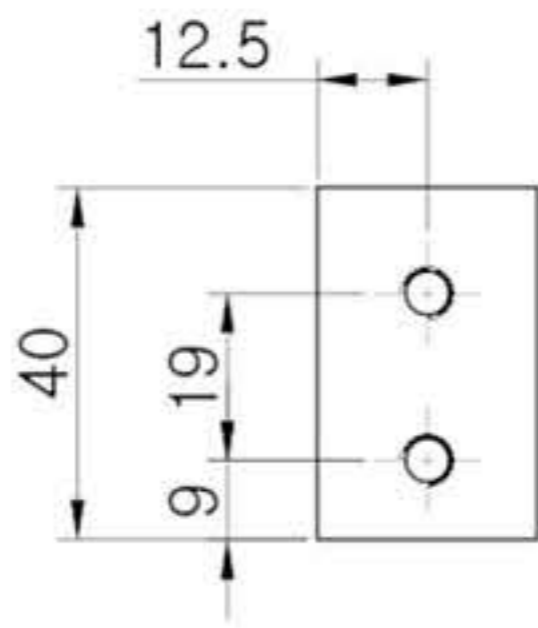
MODEL : ABCSL-EXP



제품 규격 [UNIT : mm]

Product Specification





Max. Capacity		kgf	10, 20, 30, 50, 75, 100 kgf
Rated output		mVV	2.0 ± 0.2
Zero balance		mVV	0.0 ± 0.1
Combined error		%RO	0.03
Repeatability		%RO	0.02
Creep (30min.)		%RO	0.03
Temperature effect on	Zero value	%RO/10℃	0.028
	Output value	%RO/10℃	0.014
Excitation	Recommended	V	10
	Maximum	V	15
Resistance	Input	Ω	400 ± 50
	Output	Ω	350 ± 3.5
	Insulation	MΩ	>2,000@50V DC
Compensated temp. range		℃	-10 ~ +40
Operating temp. range		℃	-20 ~ +80

* Specifications are subject to change without notice

- › **Stainless Steel**
- › **최대 플랫폼 사이즈 : 500 X 400 mm**
- › **저용량 싱글 포인트**
- › **높은 정밀도**
- › **견고한 구조**
- › **안정감**