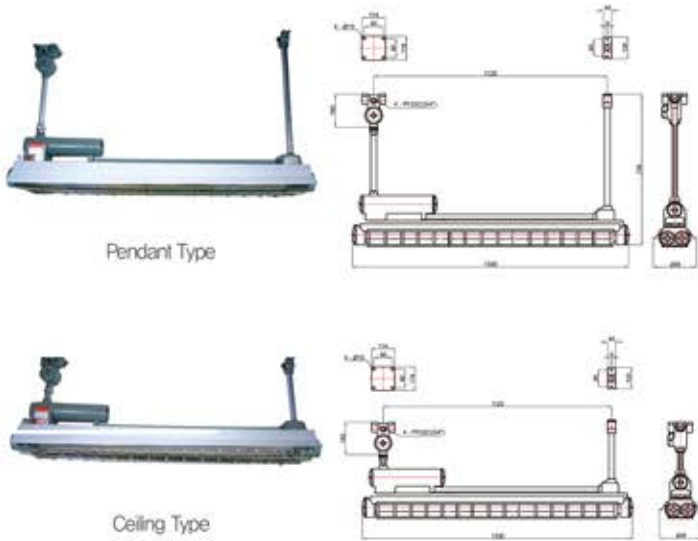


Flameproof Type Fluorescent, LED Lighting Fixtures Data (LED 형광등)

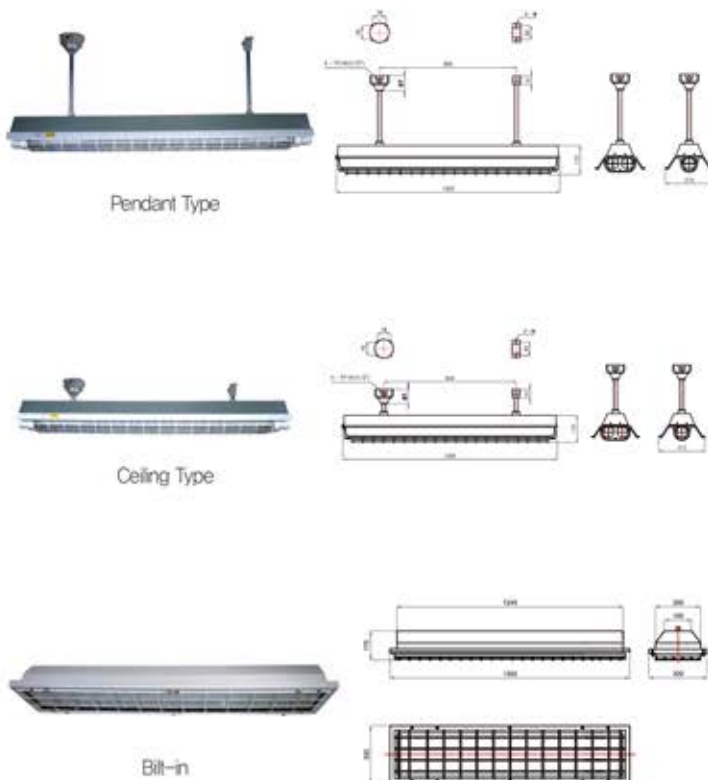


* 내압 방폭 등급 : Fluorescent : Ex de IIC T5 / LED : Ex d IIB + H2 T6 *

Type	Model Number	Lamp Watt(W)	Weight(kg)
Pendant 천정 간형	FFL-3211	32 × 1	16.6
	FFL-3212	32 × 2	
	FFL-LED-2211	22 × 1	
	FFL-LED-2212	22 × 2	
Ceiling 천정형	FFL-3221	32 × 1	16.6
	FFL-3222	32 × 2	
	FFL-LED-2221	22 × 1	
	FFL-LED-2222	22 × 2	
전 원	AC 220V / 50/60Hz		

재 질 : Mounting Box : Die Cast Aluminum Alloy / Body : Cast Aluminum Alloy
Ballast Housing : Cast Aluminum Alloy / Reflector : Cold Rolled Sheet Steel
Tube Glass : Heat Resistant Hard Glass / Guard : Steel / Pole : Steel

Non-Sparking Type Fluorescent, LED Lighting Fixtures 비점화 방폭형 형광등 / LED 형광등



* 방폭 등급 : Ex nA II T6 * / AC 220V 50/60Hz

Type	Model Number	Lamp Watt(W)	Weight(kg)
Pendant 천정 간형	SFL-2011	20 × 1	9.8
	SFL-2012	20 × 2	
	SFL-3211	32 × 1	
	SFL-3212	32 × 2	
	SFL-LED-2211	32 × 1	
	SFL-LED-2212	32 × 2	
Ceiling 천정형	SFL-2021	20 × 1	9.8
	SFL-2022	20 × 2	
	SFL-3221	32 × 1	
	SFL-3222	32 × 2	
	SFL-LED-2221	22 × 1	
	SFL-LED-2222	22 × 2	

Non-Sparking Type Fluorescent Lighting Fixtures Data (매입형)

* 방폭 등급 : Ex nA II T6 * / AC 220V 50/60Hz

Type	Model Number	Lamp Watt(W)	Weight(kg)
Built-in	SFL-2032	20 × 2	11.8
매입형	SFL-3232	32 × 2	11.8