

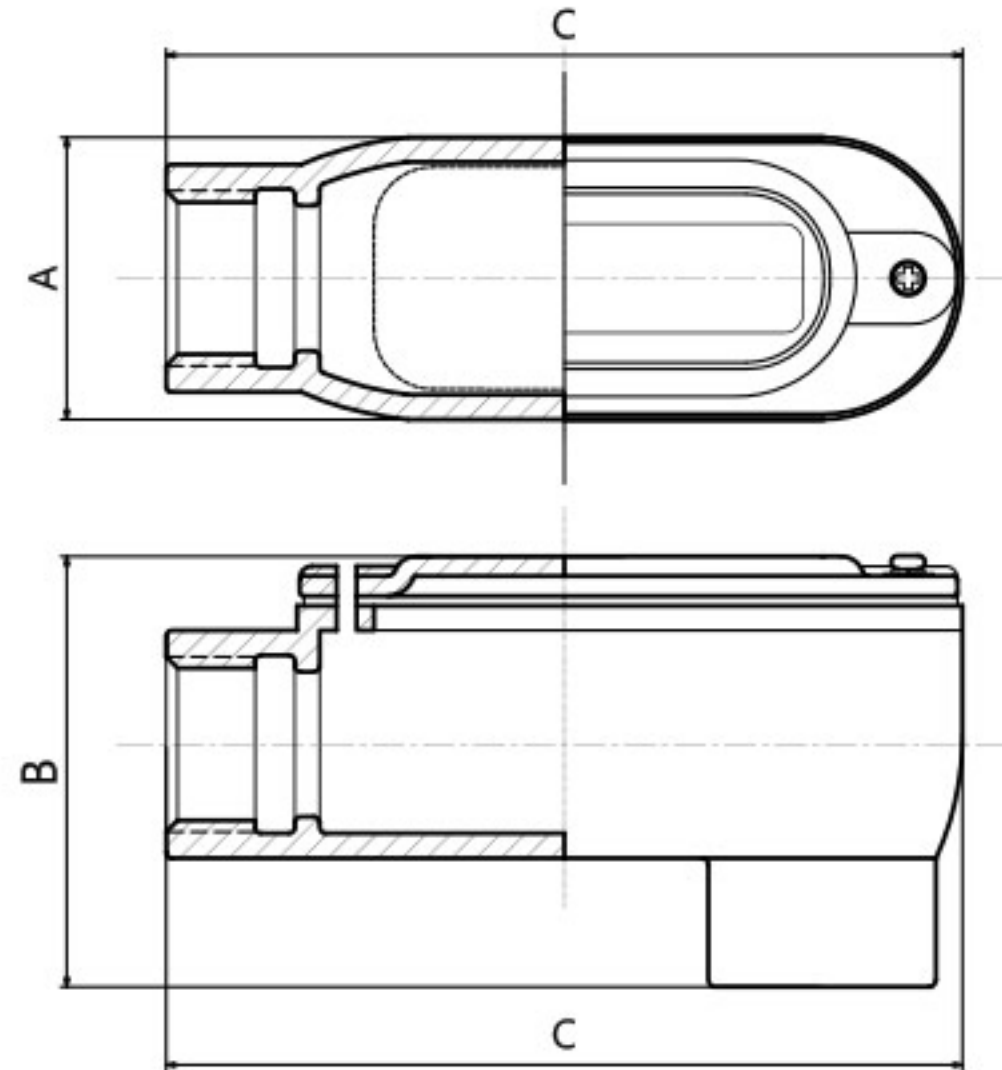
안전증방폭형 엘보 & 티

Class, Division 1, Ex e II



LB Types

Catalogue	Conduit Size	Dimensions(mm)			Weight(kg)
		A	B	C	
LB 16	16 (1/2")	40	66	125	0.6
LB 22	22 (3/4")	45	74	134	0.8
LB 28	28 (1")	59	91	161	1.02
LB 36	36 (1 1/4")	68	100	171	1.5
LB 42	42 (1 1/2")	74	110	190	2.2
LB 54	54 (2")	85	126	216	3.2
LB 70	70 (2 1/2")	100	150	249	5
LB 82	82 (3")	112	162	276	6
LB 104	104 (4")	137	191	305	9



LC Types

Catalogue	Conduit Size	Dimensions(mm)			Weight(kg)
		A	B	C	
LC 16	16 (1/2")	40	46	146	0.6
LC 22	22 (3/4")	45	53	156	0.8
LC 28	28 (1")	59	63	187	1.02
LC 36	36 (1 1/4")	68	73	197	1.5
LC 42	42 (1 1/2")	74	83	215	2.2
LC 54	54 (2")	85	100	243	3.2
LC 70	70 (2 1/2")	100	117	280	5
LC 82	82 (3")	112	129	308	6
LC 104	104 (4")	137	156	336	9

