

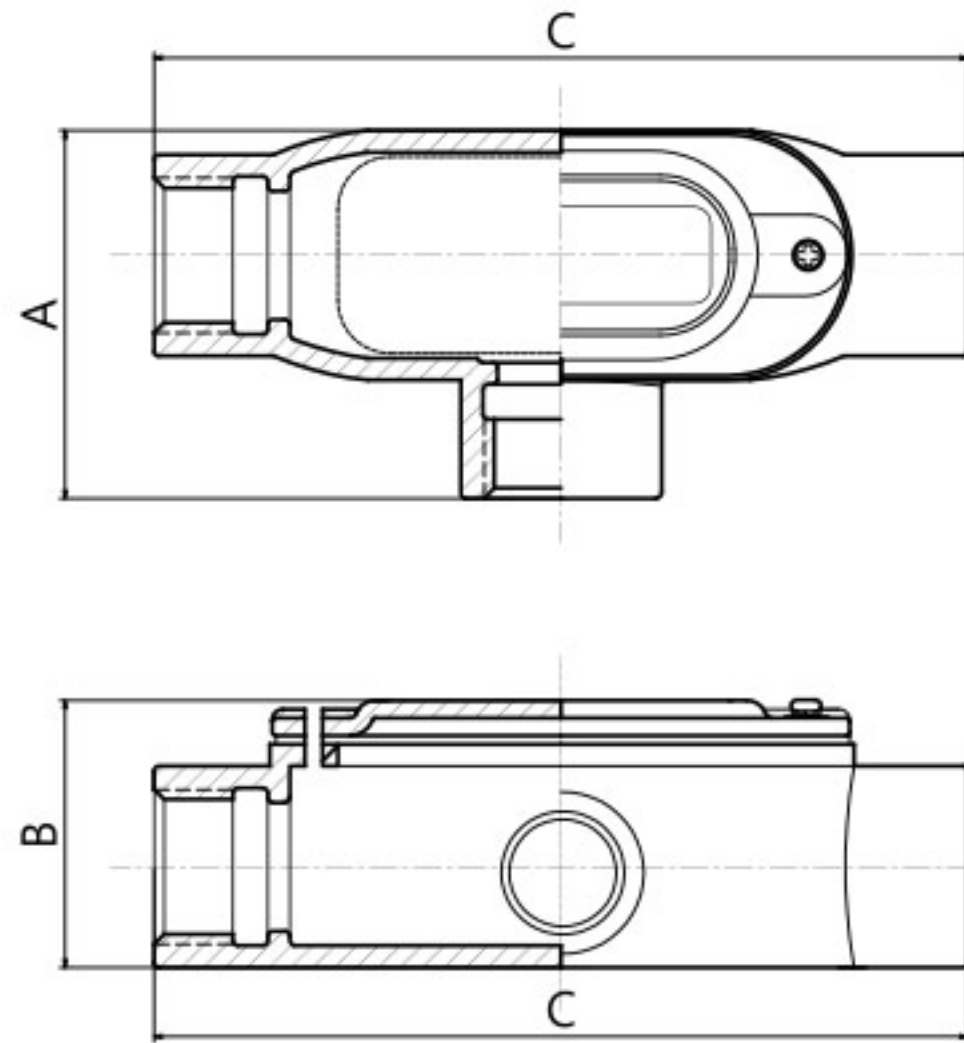
안전증방폭형 엘보 & 티

Class, Division 1, Ex e II



LT Types

Catalogue	Conduit Size	Dimensions(mm)			Weight(kg)
		A	B	C	
LT 16	16 (1/2")	60	46	146	0.65
LT 22	22 (3/4")	67	53	156	0.9
LT 28	28 (1")	86	63	187	1.4
LT 36	36 (1 1/4")	95	73	197	1.7
LT 42	42 (1 1/2")	100	83	215	2.4
LT 54	54 (2")	110	100	243	3.5
LT 70	70 (2 1/2")	130	117	280	5.7
LT 82	82 (3")	142	129	308	6.8
LT 104	104 (4")	170	156	336	10



LTB Types

Catalogue	Conduit Size	Dimensions(mm)			Weight(kg)
		A	B	C	
LTB 16	16 (1/2")	40	66	146	0.65
LTB 22	22 (3/4")	45	74	156	0.9
LTB 28	28 (1")	59	91	187	1.4
LTB 36	36 (1 1/4")	68	100	197	1.7
LTB 42	42 (1 1/2")	74	110	215	2.4
LTB 54	54 (2")	86	126	243	3.5
LTB 70	70 (2 1/2")	100	150	280	5.7
LTB 82	82 (3")	112	162	308	6.8
LTB 104	104 (4")	137	191	336	10

