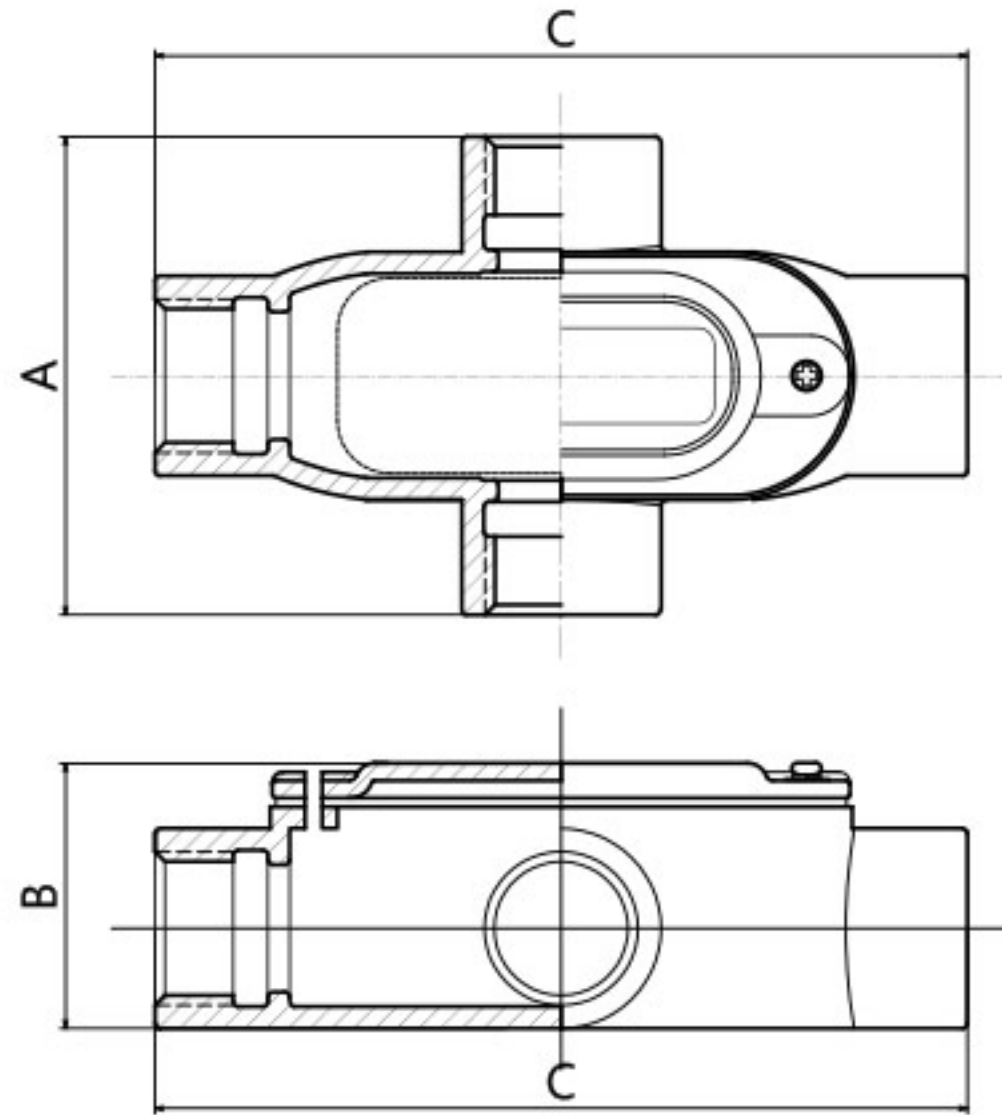


안전증방폭형 엘보 & 티

Class, Division 1, Ex e II



LX Types



Catalogue	Conduit Size	Dimensions(mm)			Weight(kg)
		A	B	C	
LX 16	16 (1/2")	78	46	146	0.8
LX 22	22 (3/4")	88	53	156	1.1
LX 28	28 (1")	110	63	187	1.6
LX 36	36 (1 1/4")	115	73	197	2.0
LX 42	42 (1 1/2")	124	83	215	2.7
LX 54	54 (2")	138	100	243	4.0

Blank Covers Solid Gaskets

