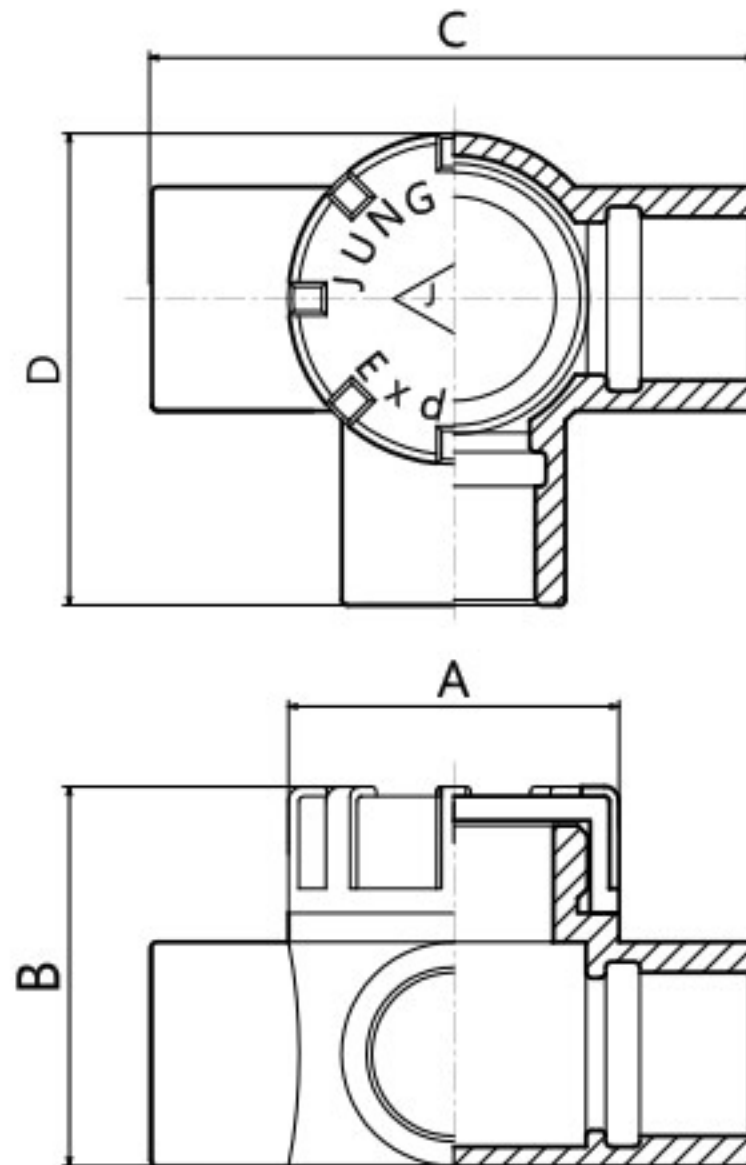


**내압방폭형 엘보 & 티**

Class, Division 1, Ex d IIC



**DT Types**



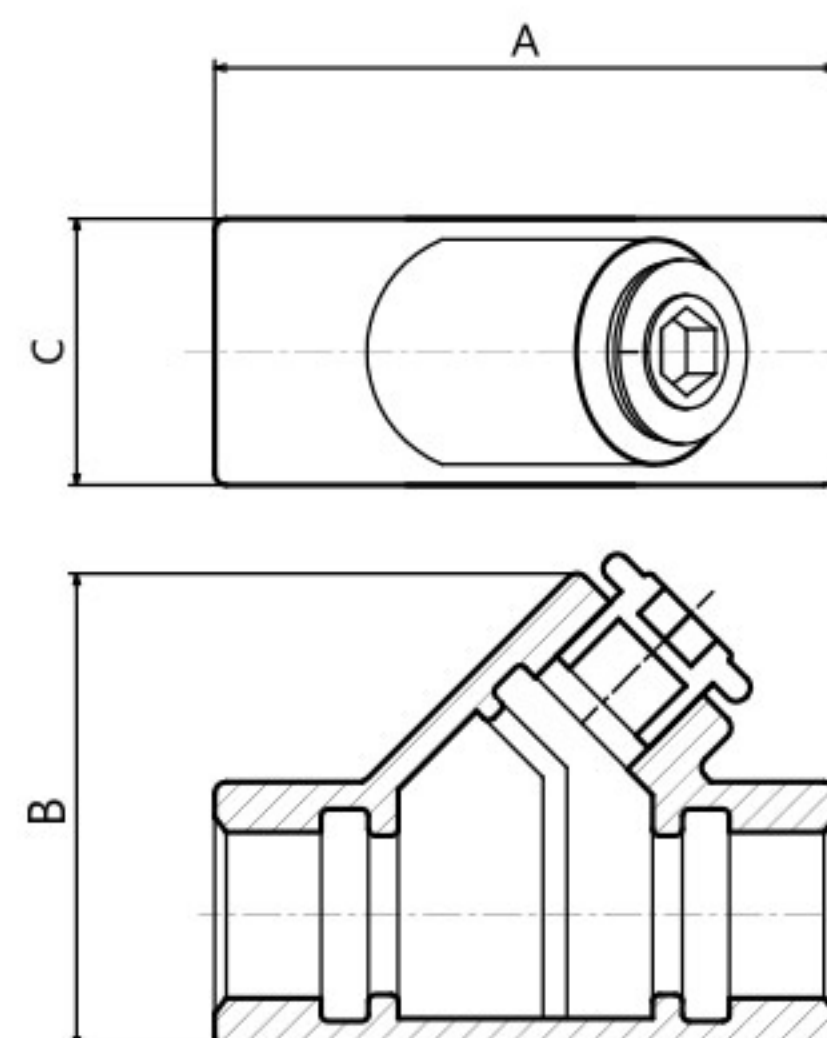
Catalogue	Conduit Size	Dimensions(mm)				Weight (kg)
		A	B	C	D	
DT 16	16 (1/2")	70	65	111	91	0.96
DT 22	22 (3/4")	70	70	111	91	1.06
DT 28	28 (1")	70	78	124	96	1.3
DT 36	36 (1 1/4")	88	91	131	110	2
DT 42	42 (1 1/2")	88	95	131	110	2.14
DT 54	54 (2")	106	112	152	131	3.2

**내압방폭형 실링 휘팅**

Class, Division 1, Ex d IIC



**SFV Types (Vertical Type)**



Catalogue	Conduit Size	Dimensions(mm)			Weight(kg)
		A	B	C	
SFV 16	16 (1/2")	83	65	32	0.5
SFV 22	22 (3/4")	98	75	38	0.6
SFV 28	28 (1")	106	84	46	0.8
SFV 36	36 (1 1/4")	127	103	56	1.3
SFV 42	42 (1 1/2")	145	117	62	1.8
SFV 54	54 (2")	163	140	77	2.8
SFV 70	70 (2 1/2")	187	158	97	3.7
SFV 82	82 (3")	205	190	111	5.2
SFV 104	104 (4")	231	213	135	6.7