

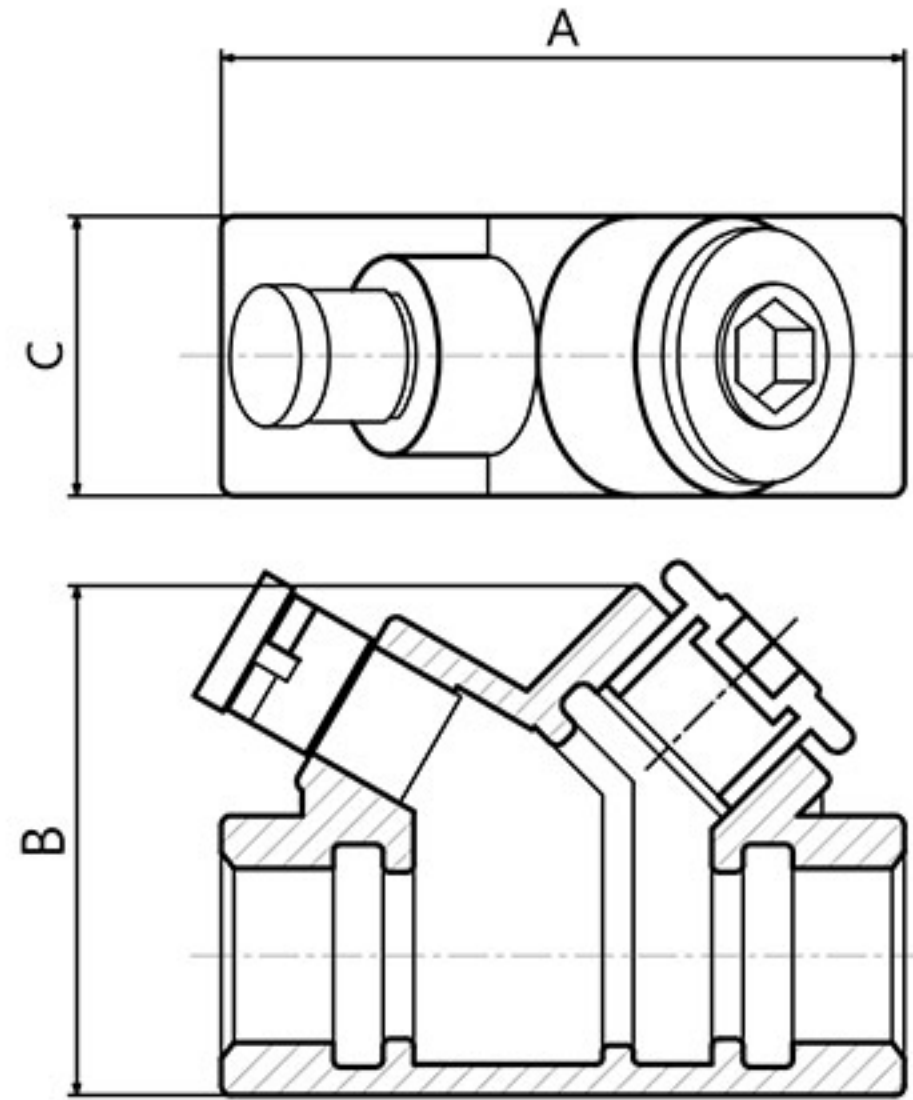
내압방폭형 실링 휘팅

Class, Division 1, Ex d IIC



SFD Types (Drain Type)

Catalogue	Conduit Size	Dimensions(mm)			Weight(kg)
		A	B	C	
SFD 16	16 (1/2")	83	66	32	0.6
SFD 22	22 (3/4")	95	75	38	0.7
SFD 28	28 (1")	110	87	45	0.95
SFD 36	36 (1 1/4")	130	100	56	1.6
SFD 42	42 (1 1/2")	143	113	62	2.1
SFD 54	54 (2")	160	136	78	2.8
SFD 70	70 (2 1/2")	190	157	96	4.3
SFD 82	82 (3")	215	180	110	5.5
SFD 104	104 (4")	245	220	135	8.2



SFH Types (Horizontal Type)

Catalogue	Conduit Size	Dimensions(mm)			Weight(kg)
		A	B	C	
SFH 16	16 (1/2")	97	54	32	0.55
SFH 22	22 (3/4")	97	59	38	0.65
SFH 28	28 (1")	121	71	45	0.93
SFH 36	36 (1 1/4")	133	80	56	1.3
SFH 42	42 (1 1/2")	146	85	63	1.95
SFH 54	54 (2")	166	102	78	2.6
SFH 70	70 (2 1/2")	191	128	97	3.8
SFH 82	82 (3")	217	143	110	5.3
SFH 104	104 (4")	248	168	137	7.2

