

플러그

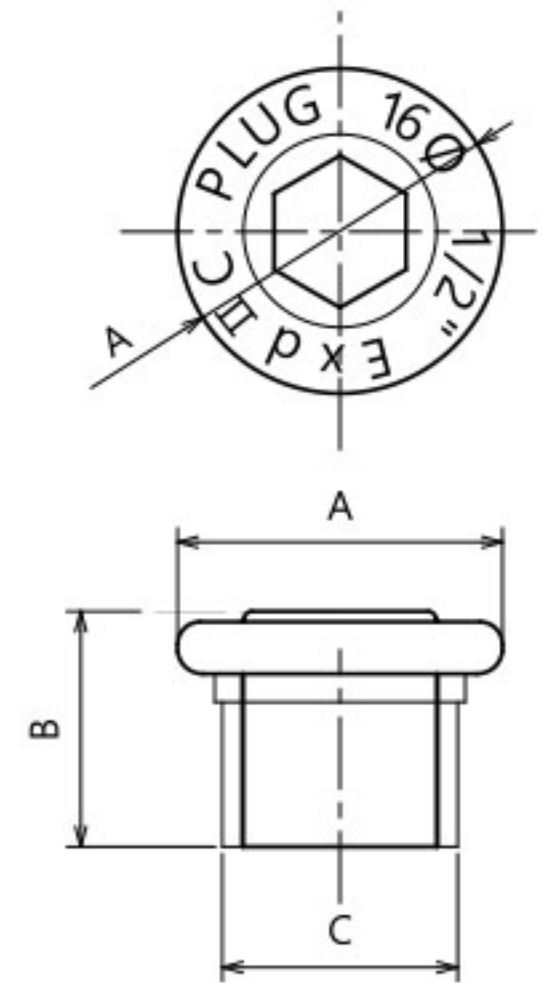
Class, Division 1, Ex d IIC



플러그

Catalogue	Conduit Size	Dimensions(mm)			Weight(kg)
		A	B	C	
16 P16	16 (1/2")	29	21.3	20.9	13
22 P22	22 (3/4")	33	21.3	26.4	18
28 P28	28 (1")	41	24	33.2	38
36 P36	36 (1 1/4")	49	24	41.9	42.5
42 P42	42 (1 1/2")	55	27	47.8	68
54 P54	54 (2")	70	27	59.6	98
70 P70	70 (2 1/2")	70	27	59.6	98
82 P82	82 (3")	85	29	75.1	154

Aluminium Plug



무드볼트

Catalogue	Conduit Size	Dimensions(mm)			Weight(kg)
		A	B	C	
16 BS	16 (1/2")	16	8	14	15
22 BS	22 (3/4")	16	8	14	15
28 BS	28 (1")	16	8	14	15
36 BM	36 (1 1/4")	21	10	15	30
42 BM	42 (1 1/2")	21	10	15	30
54 BM	54 (2")	21	10	15	30
70 BL	70 (2 1/2")	27	15	17	52
82 BL	82 (3")	27	15	17	52
104 BL	104 (4")	27	15	17	52

Bolt

