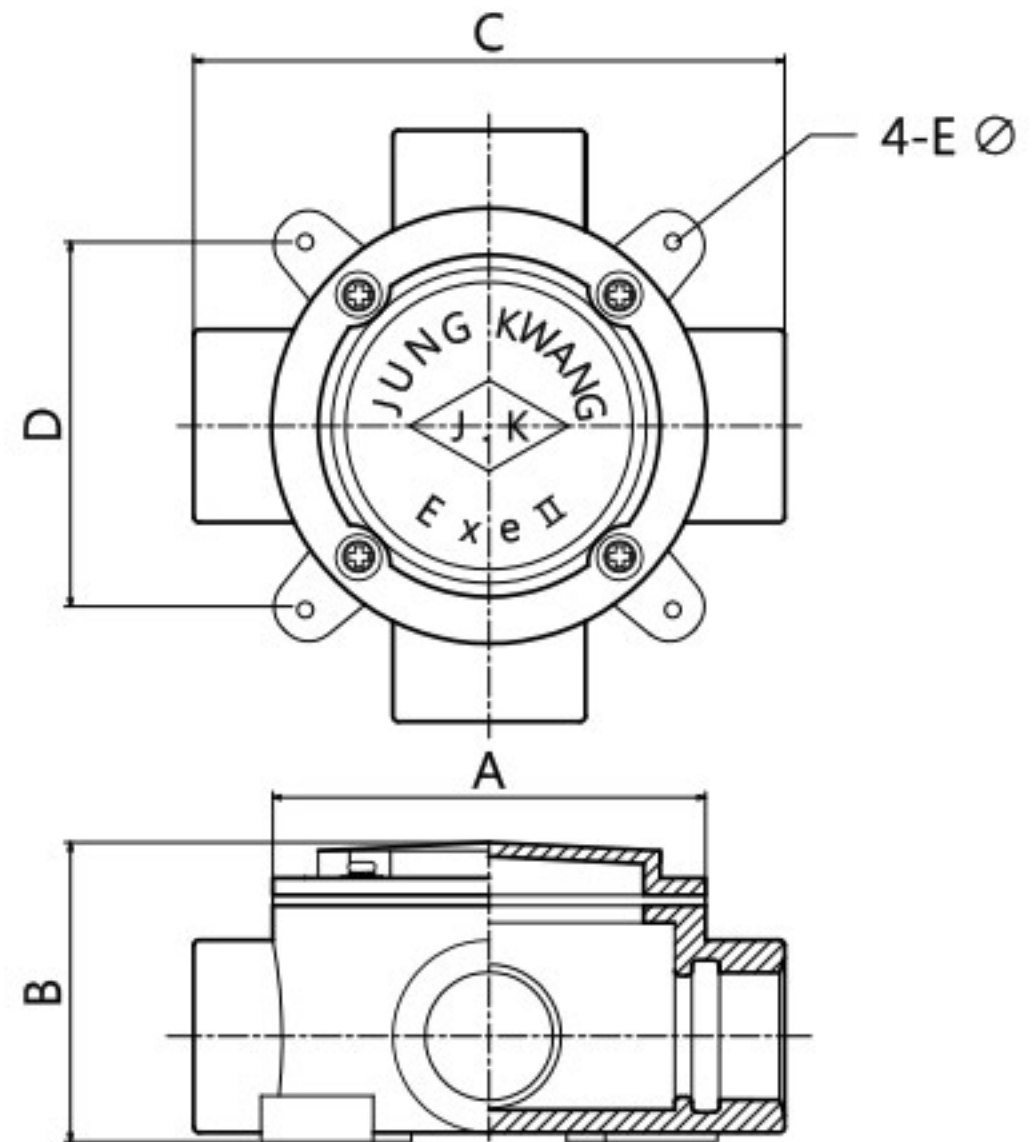


안전증방폭형 라운드 잔손박스

Class, Division 1, Ex e II



EJB Types



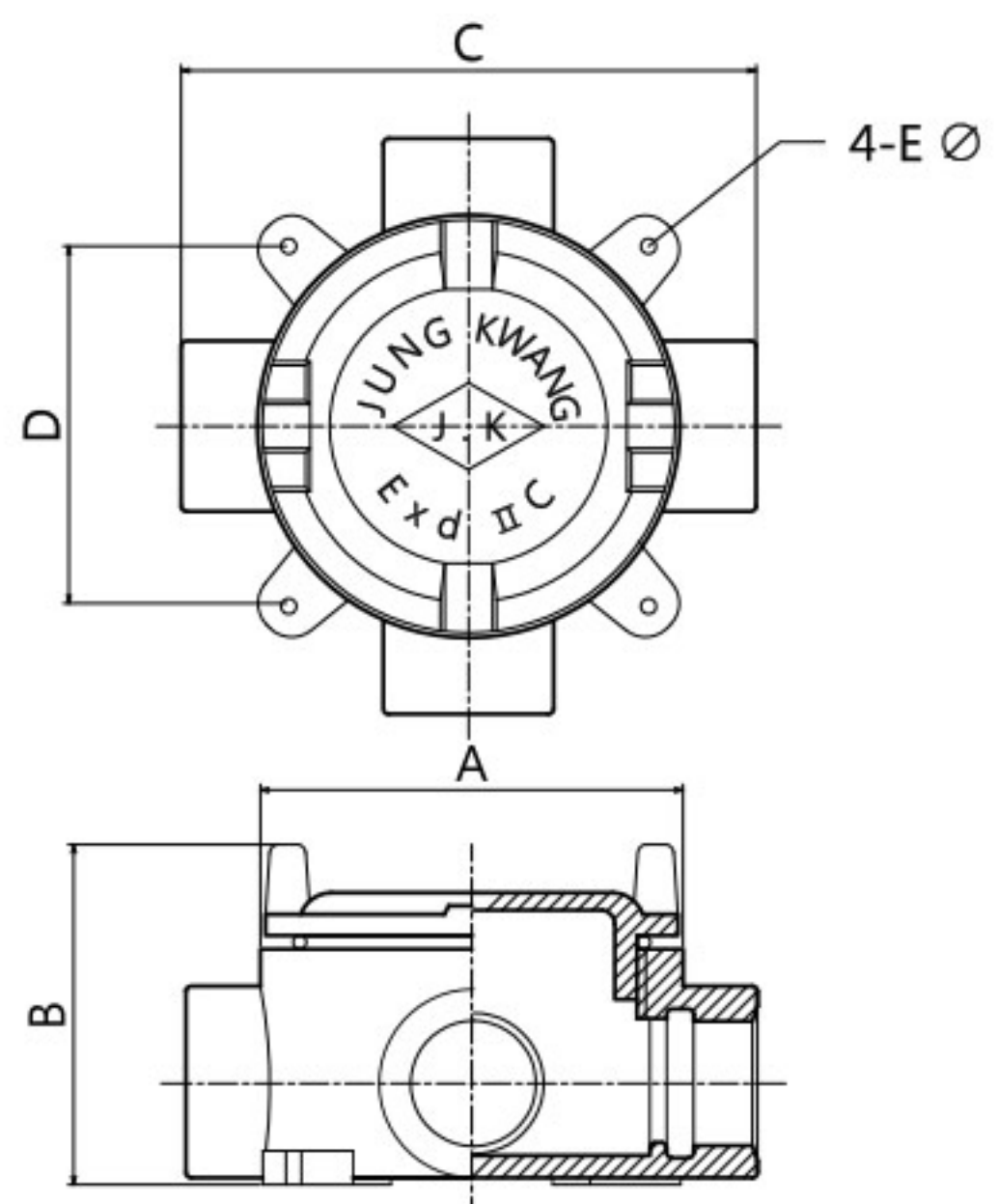
Catalogue	Conduit Size	Dimensions(mm)					Weight(kg)
		A	B	C	D	E	
EJB 16	16 (1/2")	96	66	135	85	8	2
EJB 22	22 (3/4")	96	71	135	85	8	2.2
EJB 28	28 (1")	96	78	145	85	8	2.4
EJB 36	36 (1 1/4")	127	88	172	106	9	3.6
EJB 42	42 (1 1/2")	127	94	171	106	9	4
EJB 54	54 (2")	162	116	220	142	10	6.4

내압방폭형 라운드 잔손박스

Class, Division 1, Ex d IIC



DJB Types



Catalogue	Conduit Size	Dimensions(mm)					Weight(kg)
		A	B	C	D	E	
DJB 16	16 (1/2")	96	78	136	85	8	1.7
DJB 22	22 (3/4")	96	82	136	85	8	1.8
DJB 28	28 (1")	96	89	145	85	8	2
DJB 36	36 (1 1/4")	126	99	173	106	9	3
DJB 42	42 (1 1/2")	126	108	171	106	9	3.4
DJB 54	54 (2")	161	134	223	142	10	5.3