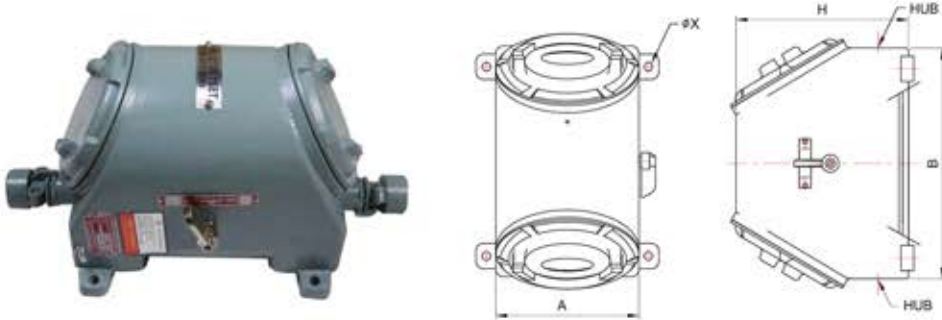


방폭형 내압 차단기 박스(IIc형)

EX-Flameproof Type Circuit Breaker Boxes(IIc)



Ex d IIC T6

• Data

최대 전압	모 델	규 격	Dimension(mm)			
			A	B	ØX	H
AC 600V 10A	FCN-12	191×301×230	191	301	12	230

• Max. size hubs that can be used

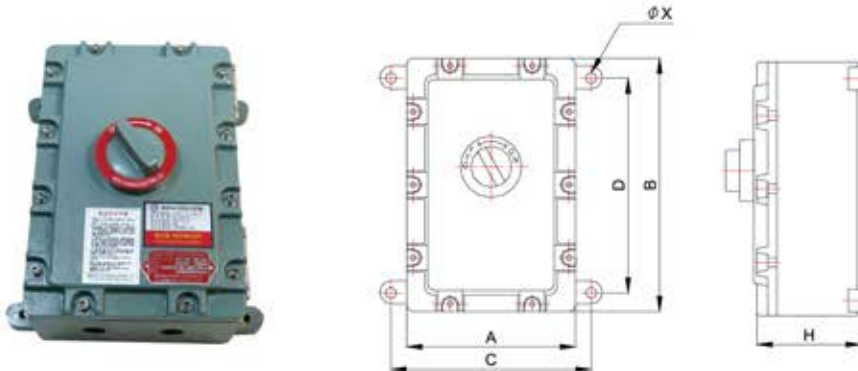
박스규격	Connection Hub Type	Max HUB Q'TY (PF, NPT, M)								
		1/2"(16C)	3/4"(22C)	1"(28C)	1 1/4"(36C)	1 1/2"(42C)	2"(54C)	2 1/2"(70C)	3"(82C)	4"(104C)
		M20	M25	M32	M40	M50	M63	M75	M90	M110
FCN-12	Top	01월 02일	2	2	2	1	1	-	-	-
	Bottom	2	2	2	2	1	1	-	-	-

• Materials Data

Descriptions	Materials
Body	Cast Aluminum Alloy
Cover	Cast Aluminum Alloy
Glass	Heat resistant hard glass

방폭형 내압 차단기 박스(IIb형)

EX-Flameproof Type Circuit Breaker Boxes(IIb)



Ex d IIB+H2 T5 IP65
Ex tD A21 T85°C IP65

• Data

최대 전압	모 델	규 격	Dimension(mm)					
			A	B	A	B	ØX	H
AC 600V 10A	FCN-21	220×330×130	220	330	255	280	10	130
AC 600V 10A	FCN-TD-21	191×301×230	220	330	255	280	10	130

• Max. size hubs that can be used

박스규격	Connection Hub Type	Max HUB Q'TY (PF, NPT, M)								
		1/2"(16C)	3/4"(22C)	1"(28C)	1 1/4"(36C)	1 1/2"(42C)	2"(54C)	2 1/2"(70C)	3"(82C)	4"(104C)
		M20	M25	M32	M40	M50	M63	M75	M90	M110
FCN-21	Top&Bottom	4	4	3	3	2	1	-	-	-
FCN-TD-21	Left&Right	6	5	5	4	3	2	-	-	-

• Materials Data

Descriptions	Materials
Body	Cast Aluminum Alloy
Cover	Cast Aluminum Alloy